

Fire Well # 3

COMBINATION DRIVE
SURFACE DISCHARGE

12 1/4" ϕ TO FACE OF FLANGE
MOTOR: U.S. MFR. VHS TYPE 200 HP. 60 CY.
460 VOLTS 1770 R.P.M. 3 PH. L445TP FRAME

YOKE:
GEARHEAD: EXISTING F.M MFR.
MODEL BM 54A0-1 GEAR RATIO 1:1

33 3/8" BASE TO ϕ OF SHAFT
10 1/2" BASE TO ϕ OF DISCHARGE

DISCHARGE COMPANION FLANGE FOR:
12" 125# FLANGE

12x12x20 DISCHARGE HEAD
16 1/4" O.D. TOP COL. FLANGE

I.D. OF WELL

O.D. OF
13 5/16 COUPLING

12" COLUMN

1 15/16" SHAFT

~~TUBE~~

BOWL UNIT:

16HX8 ASSEMBLY

3 STAGE

15 1/4" O.D. OF BOWLS

NONE SUCTION PIPE

STRAINER:

14" SIZE 14" O.D.

GALV. CONE TYPE

PUMP RATING

G.P.M. 2500 @ 1180 R.P.M

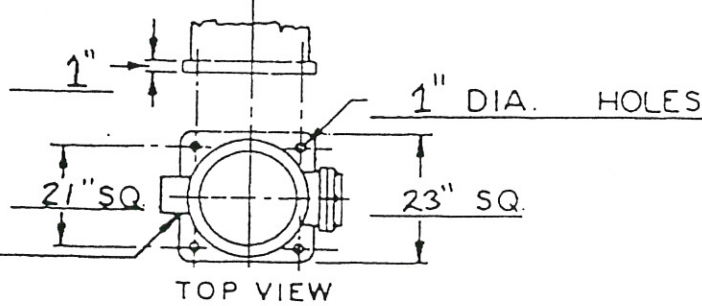
FT. FIELD HD. 35

2ND CONDITION

1500 @ 230'

MOTOR - 200 h.p.
SERIAL NO. 9044786
Three Stage

8'9 23/32"
6'7 1/2"
21"
75'
82'5 1/2"
4'2"
0
3'6 1/2"



S.O. NO	_____
SOLD TO:	_____
ORDER NO.	_____
USER:	_____
ITEM NO.	_____
PUMP IDENTIFICATION:	_____

THIS CERTIFIED PRINT
 FOR APPROVAL
 BY D.W.D. DATE 12-21-89
 FOR CONSTRUCTION
 BY _____ DATE _____

RECEIVED
FEB 5 2002

Peerless Pump

An Indian Head Company
1200 Sycamore Street
Montebello, California 90640

DRN. BY: _____ CHK'D BY: _____ DATE: _____ PUMP NO. _____