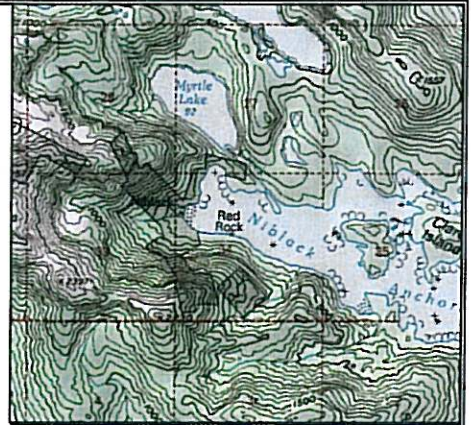


**SITE DEVELOPMENT DIAGRAM**



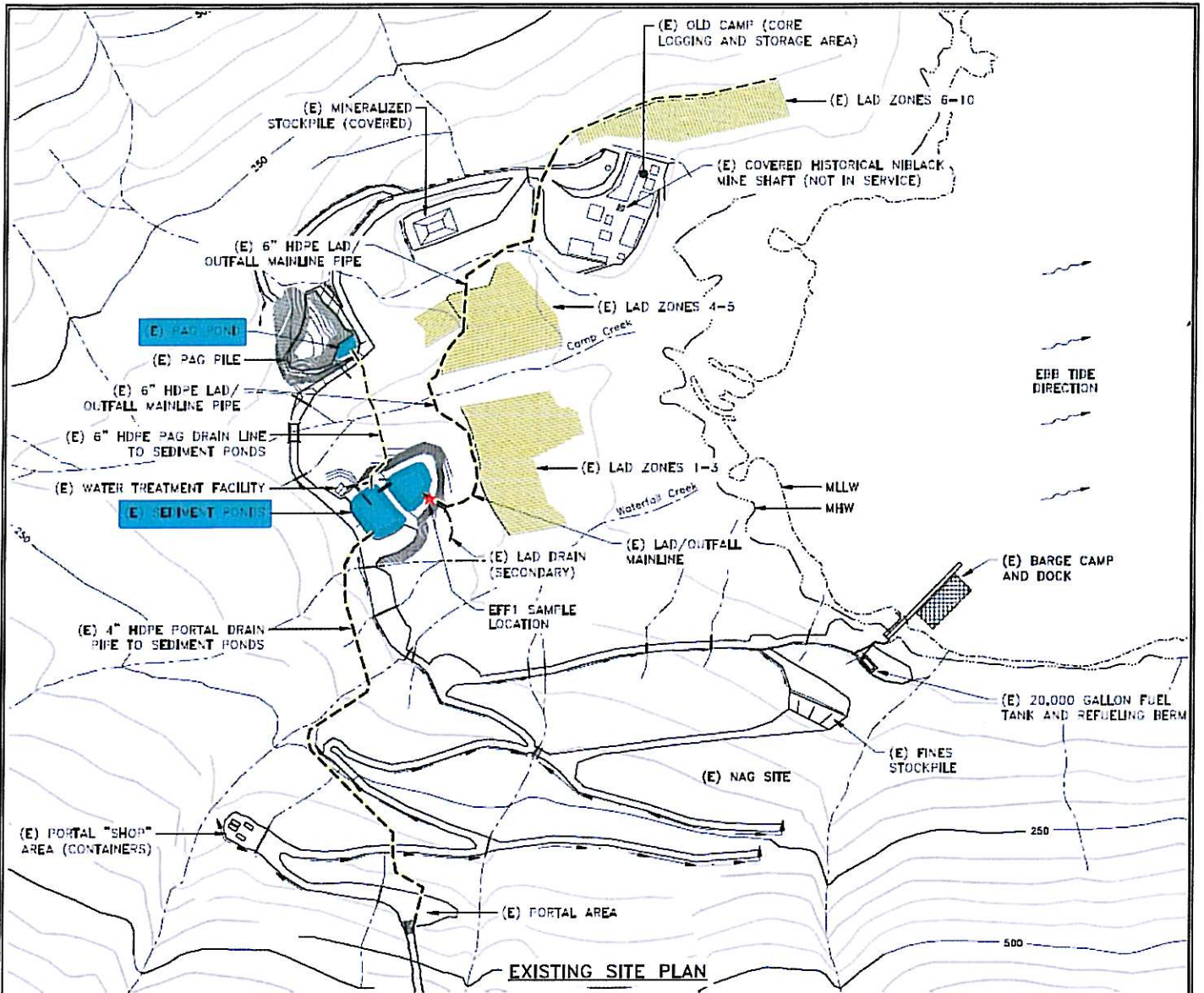
**VICINITY MAP**

**LIST OF ATTACHED FIGURES:**

- Page 1 of 13: Vicinity Map & List of Figures
- Page 2 of 13: Existing Site Plan
- Page 3 of 13: Proposed Site Plan
- Page 4 of 13: Profile
- Page 5 of 13: Profile (continued)
- Page 6 of 13: Buried Pipe Trench Section, Alternate Anchor Details
- Page 7 of 13: Burial & Cleanout Detail, Bedrock Anchor Detail
- Page 8 of 13: Sampling Port – General, Options 1, 2, and 3
- Page 9 of 13: Diffuser Pipe at Outfall, Diffuser Cross Section A & B
- Page 10 of 13: Picture 1: Foreshore
- Page 11 of 13: Picture 2: Niblack from the water
- Page 12 of 13: Picture 3: Niblack site overview
- Page 13 of 13: Picture 4: Old dock site

Date Prepared: <b>1/24/2014</b>	Applicant's Name: <b>Niblack Project, LLC</b>
<b>ALASKA DEPARTEMENT OF NATURAL RESOURCES          DIV. OF MINING, LAND , WATER          LAND USE PERMIT</b>	
<b>SITE DEVELOPMENT DIAGRAM</b>	
<b>SEC34 T78S R88E</b>	
<b>SHEET 1 OF 13</b>	LAS #

# SITE DEVELOPMENT DIAGRAM

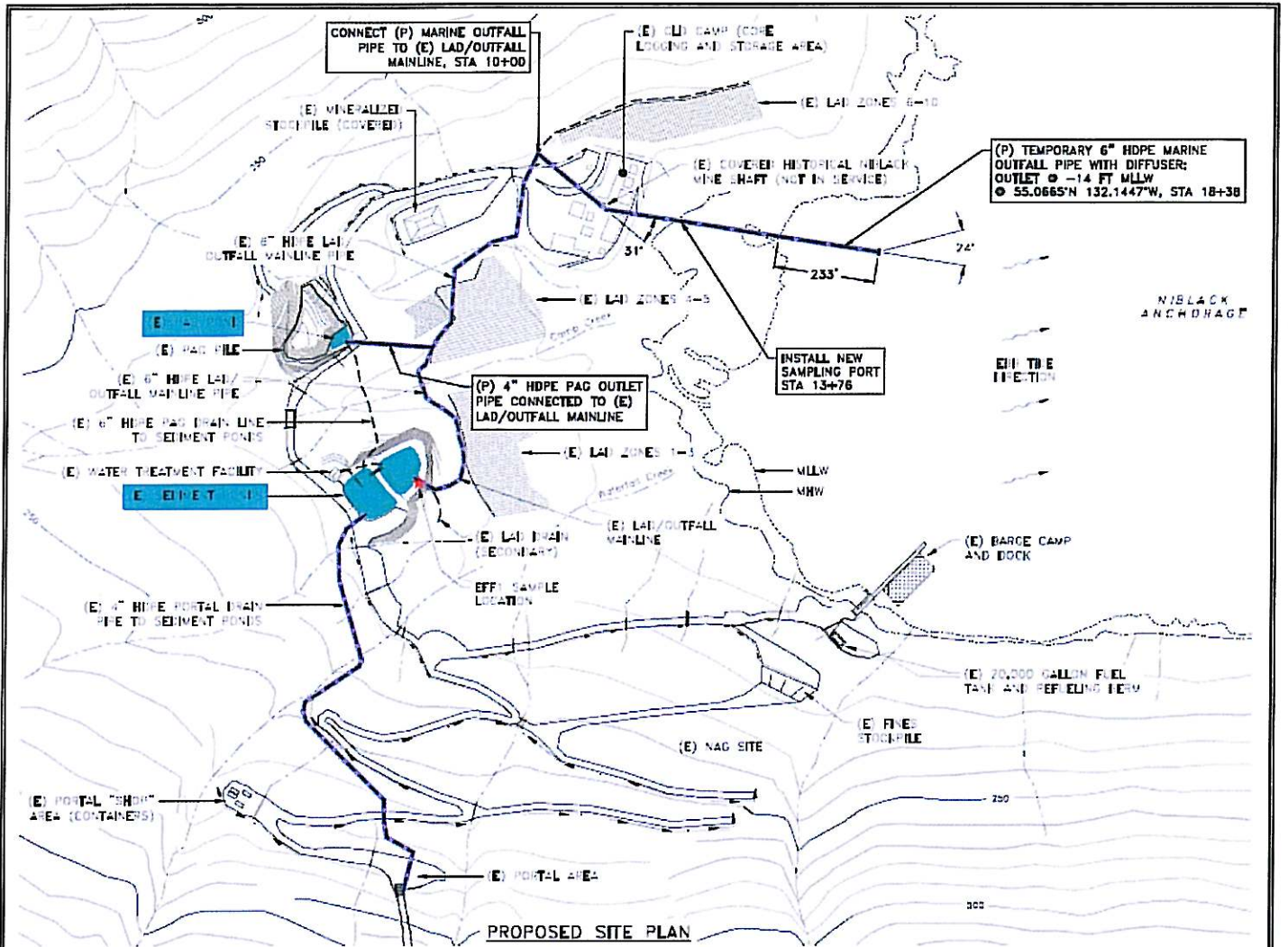


**LEGEND**

- (E) EXISTING
- (P) PROPOSED
- EXISTING DRAINAGE SYSTEM
- PROPOSED DRAINAGE SYSTEM
- ★ EFF1 SAMPLING LOCATION
- - - CREEK
- CPP CULVERT
- ROAD
- DITCH/DRAINAGE

Date Prepared: <b>1/24/2014</b>	Applicant's Name: <b>Niblack Project, LLC</b>
ALASKA DEPARTMENT OF NATURAL RESOURCES DIV. OF MINING, LAND, WATER LAND USE PERMIT	
SITE DEVELOPMENT DIAGRAM	
SEC34 T78S R88E	
SHEET 2 OF 13	LAS #

# SITE DEVELOPMENT DIAGRAM

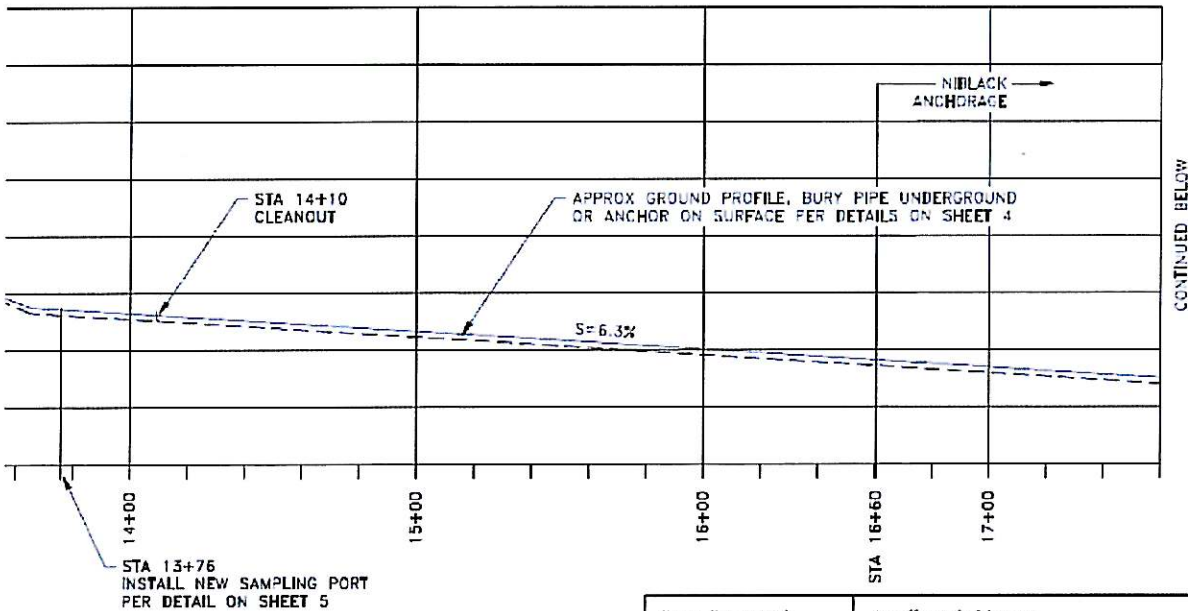
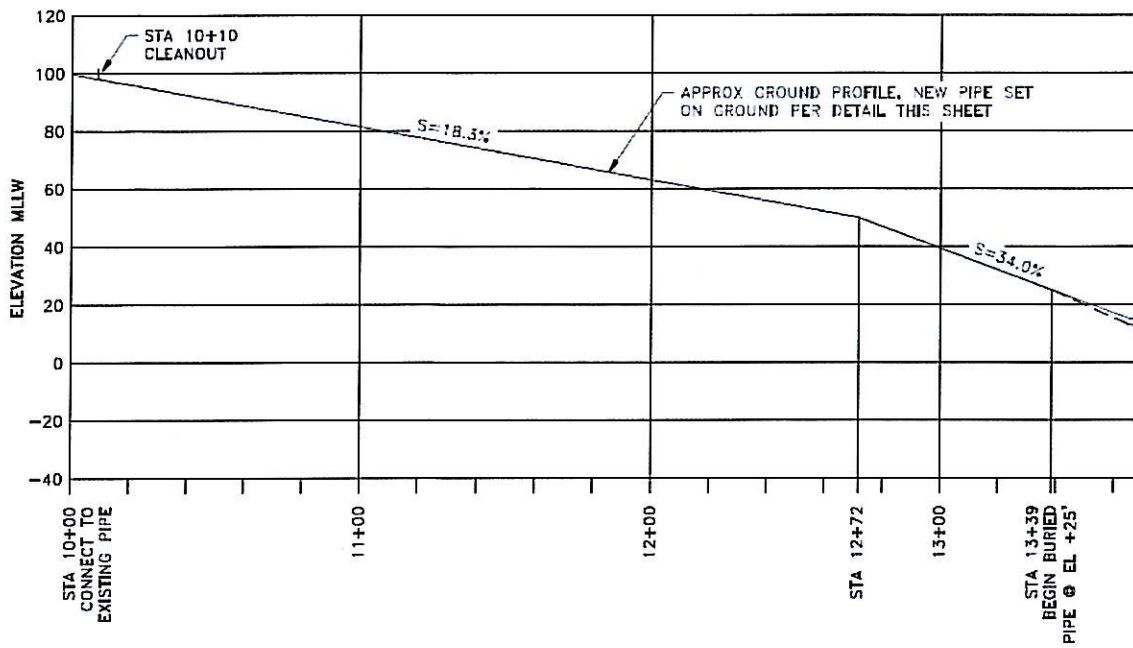


### LEGEND

- (E) EXISTING
- (P) PROPOSED
- EXISTING DRAINAGE SYSTEM
- == PROPOSED DRAINAGE SYSTEM
- ★ EFF1 SAMPLING LOCATION
- - - CREEK
- CPP CULVERT
- ROAD
- DITCH/DRAINAGE

Date Prepared: <b>1/24/2014</b>	Applicant's Name: <b>Niblack Project, LLC</b>
ALASKA DEPARTMENT OF NATURAL RESOURCES DIV. OF MINING, LAND, WATER LAND USE PERMIT	
SITE DEVELOPMENT DIAGRAM	
<b>SEC34 T78S R88E</b>	
SHEET 3 OF 13	LAS #

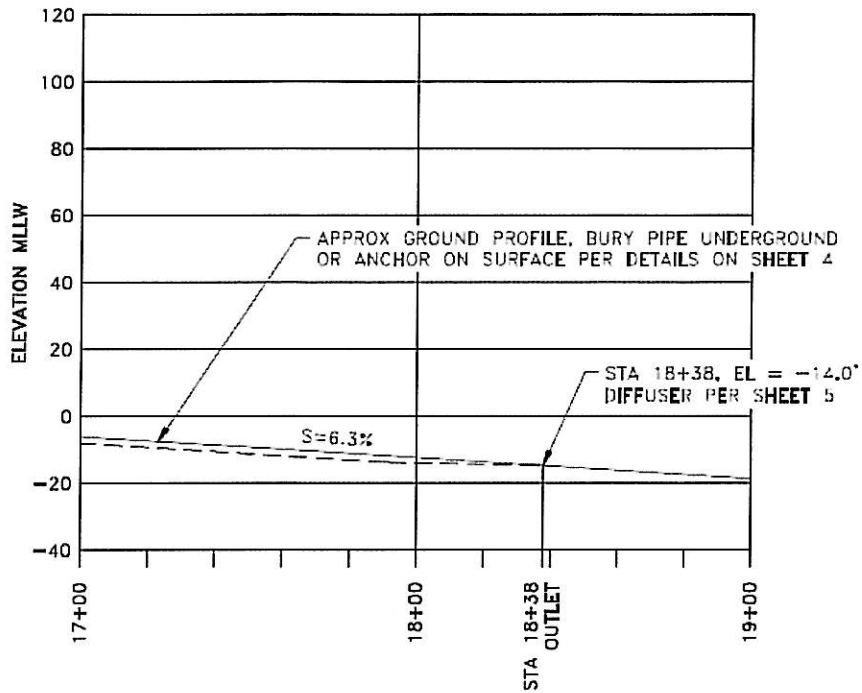
### SITE DEVELOPMENT DIAGRAM



CONTINUED BELOW

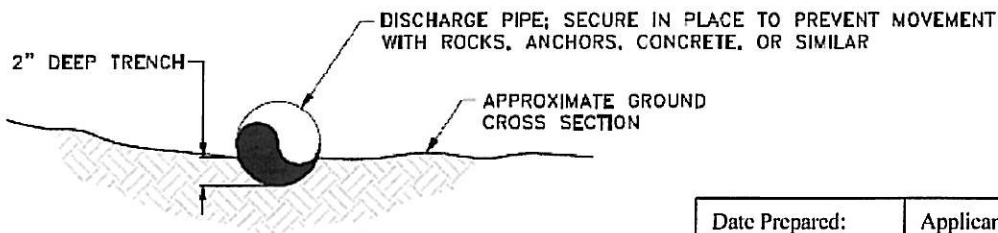
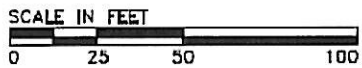
Date Prepared: <b>1/24/2014</b>	Applicant's Name: <b>Niblack Project, LLC</b>
<b>ALASKA DEPARTMENT OF NATURAL RESOURCES DIV. OF MINING, LAND, WATER LAND USE PERMIT</b>	
<b>SITE DEVELOPMENT DIAGRAM</b>	
<b>SEC34 T78S R88E</b>	
SHEET 4 OF 13	LAS #

**SITE DEVELOPMENT DIAGRAM**



**OUTFALL PIPE PROFILE**

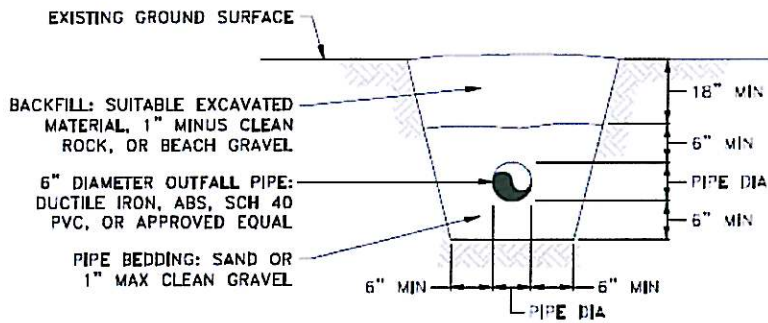
GROUND PROFILE BASED ON MAPPING DATED  
11/25/09 PROVIDED BY NIBLACK PROJECT LLC



**PIPE ON GRADE INSTALLATION  
CROSS SECTION**  
- NOT TO SCALE -

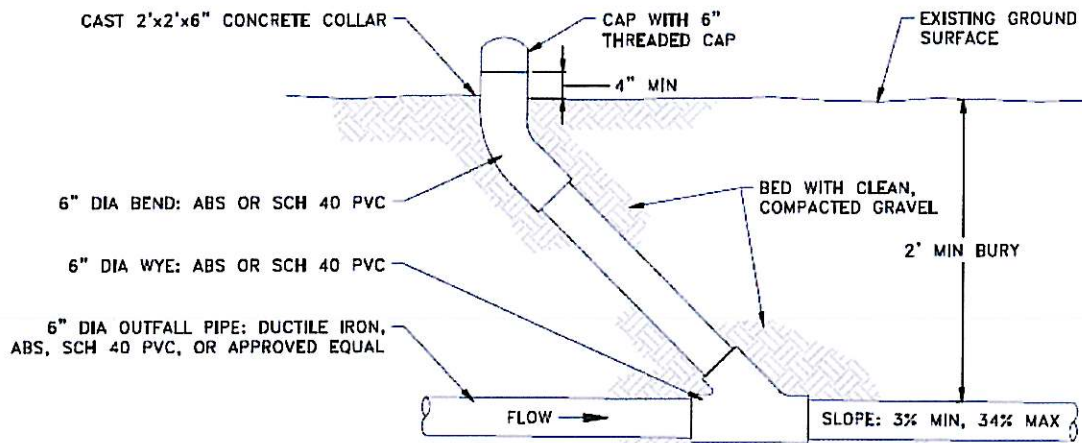
Date Prepared: <b>1/24/2014</b>	Applicant's Name: <b>Niblack Project, LLC</b>
ALASKA DEPARTMENT OF NATURAL RESOURCES DIV. OF MINING, LAND, WATER LAND USE PERMIT	
SITE DEVELOPMENT DIAGRAM	
<b>SEC34 T78S R88E</b>	
SHEET 5 OF 13	LAS #

**SITE DEVELOPMENT DIAGRAM**



**BURIED PIPE TRENCH SECTION FROM EL +25' TO EL -6'**

- NOT TO SCALE :: USE DIMENSIONS -  
SEE "ALTERNATE ANCHOR DETAILS" THIS SHEET WHERE BURIAL IS NOT POSSIBLE

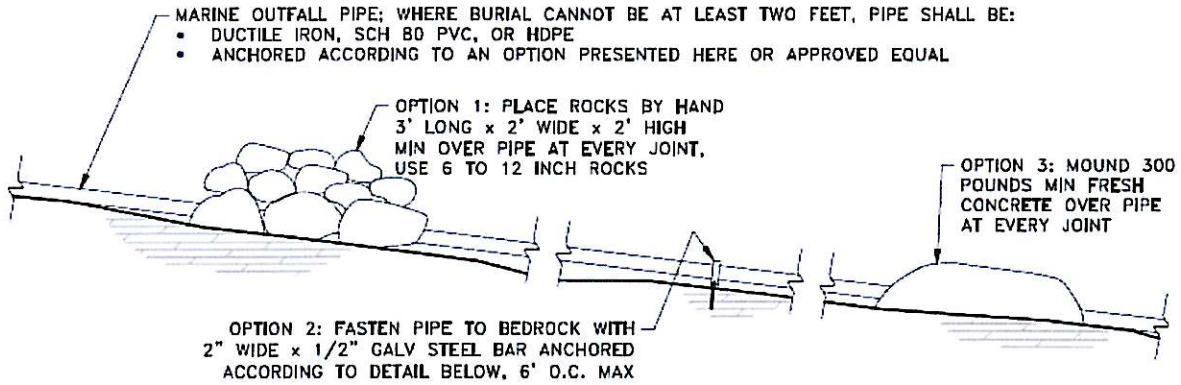


**BURIAL AND CLEANOUT DETAIL**

- NOT TO SCALE :: USE DIMENSIONS -

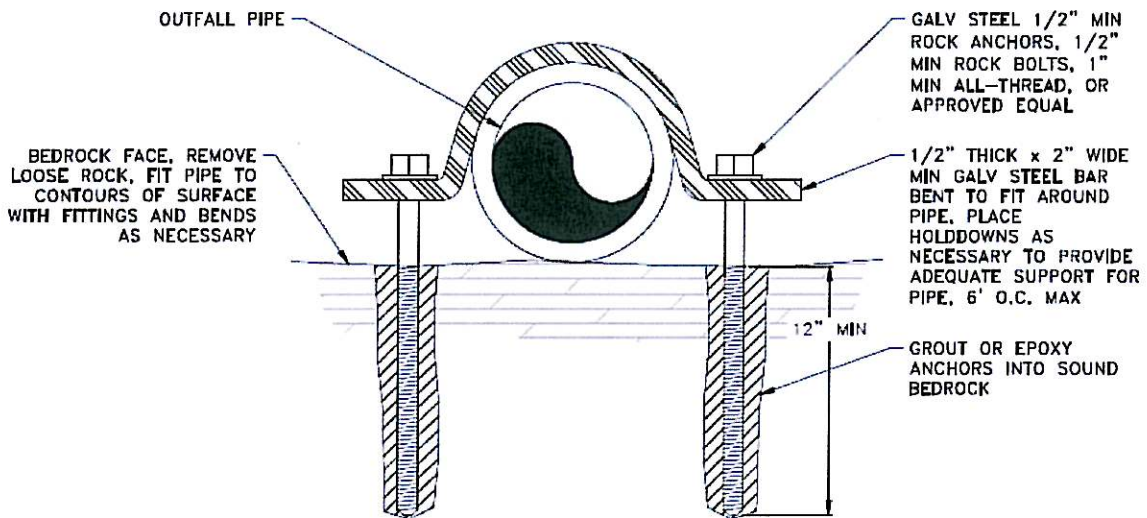
Date Prepared: <b>1/24/2014</b>	Applicant's Name: <b>Niblack Project, LLC</b>
ALASKA DEPARTMENT OF NATURAL RESOURCES DIV. OF MINING, LAND, WATER LAND USE PERMIT	
SITE DEVELOPMENT DIAGRAM	
<b>SEC34 T78S R88E</b>	
SHEET 6 OF 13	LAS #

**SITE DEVELOPMENT DIAGRAM**



**ALTERNATE ANCHOR DETAILS (WHERE BURIAL IS NOT POSSIBLE)**

- NOT TO SCALE -

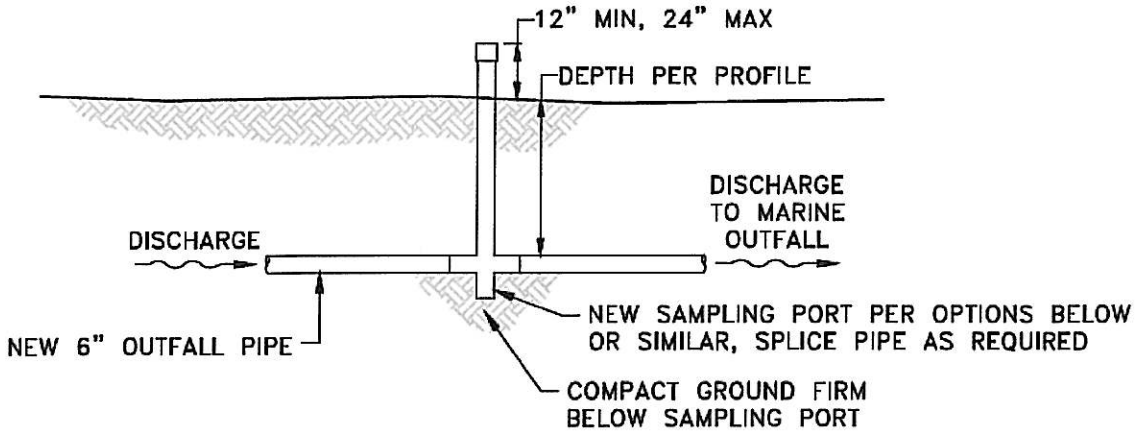


**BEDROCK ANCHOR DETAIL**

- NOT TO SCALE :: USE DIMENSIONS -

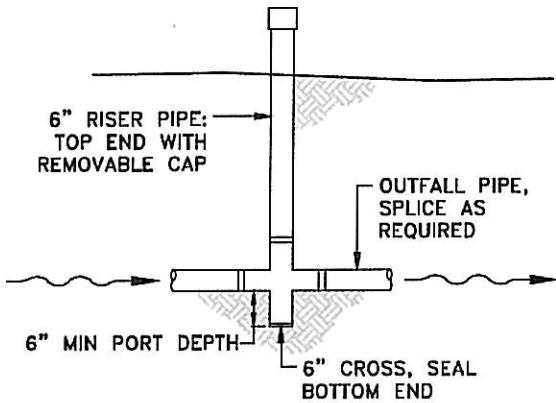
Date Prepared: <b>1/24/2014</b>	Applicant's Name: <b>Niblack Project, LLC</b>
ALASKA DEPARTMENT OF NATURAL RESOURCES DIV. OF MINING, LAND, WATER LAND USE PERMIT	
SITE DEVELOPMENT DIAGRAM	
SEC34 T78S R88E	
SHEET 7 OF 13	LAS #

**SITE DEVELOPMENT DIAGRAM**



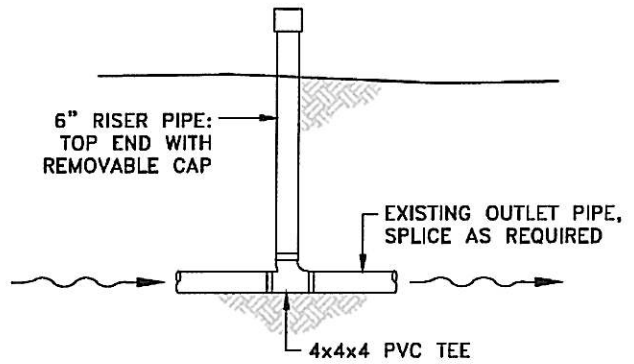
**SAMPLING PORT – GENERAL**

- NOT TO SCALE -



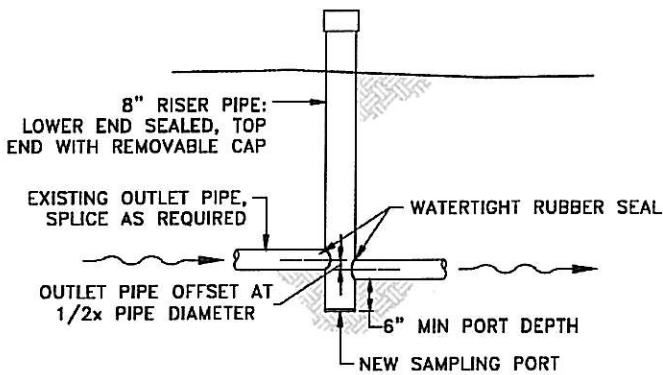
**OPTION 1: INLINE CROSS**

- NOT TO SCALE -



**OPTION 2: INLINE TEE**

- NOT TO SCALE -



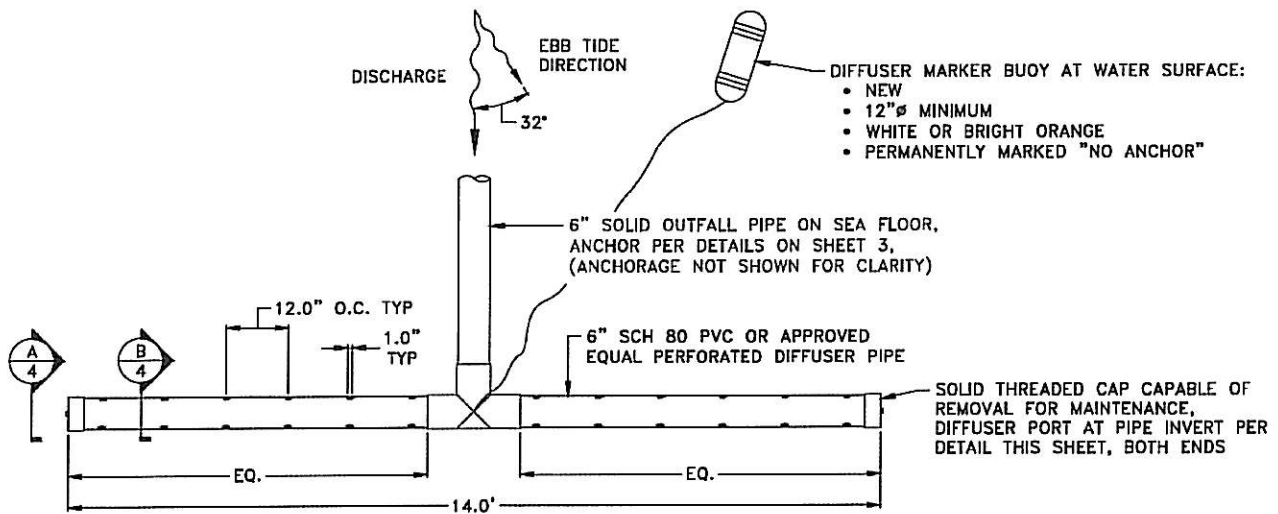
**OPTION 3: STAND PIPE**

- NOT TO SCALE -

Date Prepared: <b>1/24/2014</b>	Applicant's Name: <b>Niblack Project, LLC</b>
<b>ALASKA DEPARTMENT OF NATURAL RESOURCES DIV. OF MINING, LAND, WATER LAND USE PERMIT</b>	
<b>SITE DEVELOPMENT DIAGRAM</b>	
<b>SEC34 T78S R88E</b>	
<b>SHEET 8 OF 13</b>	<b>LAS #</b>

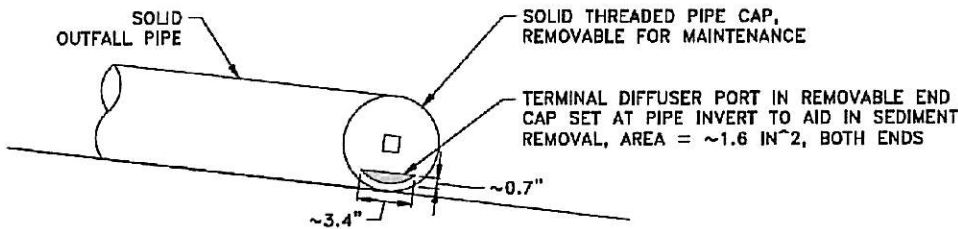


**SITE DEVELOPMENT DIAGRAM**



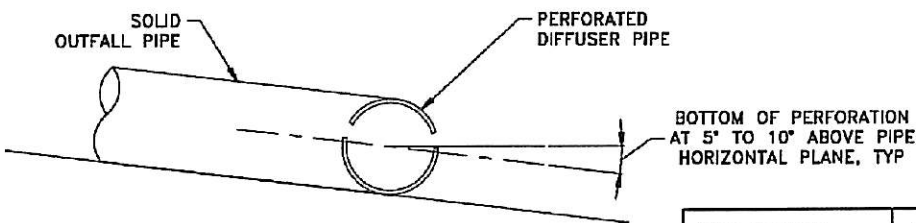
**DIFFUSER PIPE AT OUTFALL - PLAN VIEW**

- NOT TO SCALE :: USE DIMENSIONS -



**DIFFUSER CROSS SECTION A**

- NOT TO SCALE -



**DIFFUSER CROSS SECTION B**

- NOT TO SCALE -

Date Prepared: <b>1/24/2014</b>	Applicant's Name: <b>Niblack Project, LLC</b>
<b>ALASKA DEPARTEMENT OF NATURAL RESOURCES DIV. OF MINING, LAND, WATER LAND USE PERMIT</b>	
<b>SITE DEVELOPMENT DIAGRAM</b>	
<b>SEC34 T78S R88E</b>	
<b>SHEET 9 OF 13</b>	L.A.S #

**SITE DEVELOPMENT DIAGRAM**



**Picture 1: Foreshore**

Date Prepared: <b>1/24/2014</b>	Applicant's Name: <b>Niblack Project, LLC</b>
<b>ALASKA DEPARTEMENT OF NATURAL RESOURCES DIV. OF MINING, LAND , WATER LAND USE PERMIT</b>	
<b>SITE DEVELOPMENT DIAGRAM</b>	
<b>SEC34 T78S R88E</b>	
<b>SHEET10 OF13</b>	LAS #

**SITE DEVELOPMENT DIAGRAM**



**Picture 2: Niblack from the water.**

Date Prepared: <b>1/24/2014</b>	Applicant's Name: <b>Niblack Project, LLC</b>
<b>ALASKA DEPARTMENT OF NATURAL RESOURCES DIV. OF MINING, LAND, WATER LAND USE PERMIT</b>	
<b>SITE DEVELOPMENT DIAGRAM</b>	
<b>SEC34 T78S R88E</b>	
<b>SHEET 11 OF 13</b>	LAS #

**SITE DEVELOPMENT DIAGRAM**



**Picture 3: Niblack site overview.**

Date Prepared: <b>1/24/2014</b>	Applicant's Name: <b>Niblack Project, LLC</b>
<b>ALASKA DEPARTMENT OF NATURAL RESOURCES DIV. OF MINING, LAND, WATER LAND USE PERMIT</b>	
<b>SITE DEVELOPMENT DIAGRAM</b>	
<b>SEC34 T78S R88E</b>	
<b>SHEET 12 OF 13</b>	L.A.S. #

**SITE DEVELOPMENT DIAGRAM**



**Picture 4: Old dock site.**

Date Prepared: <b>1/24/2014</b>	Applicant's Name: <b>Niblack Project, LLC</b>
<b>ALASKA DEPARTEMENT OF NATURAL RESOURCES          DIV. OF MINING, LAND , WATER          LAND USE PERMIT</b>	
<b>SITE DEVELOPMENT DIAGRAM</b>	
<b>SEC34 T78S R88E</b>	
<b>SHEET 13 OF 13</b>	LAS #