

STATE OF ALASKA
Application for Permits to Mine in Alaska (APMA)

Single Year Multi-year Start: 1/1/2022 Finish: 12/31/2026 APMA Number (A/F/J, Year, ****) 2299

What type activity are you planning to perform? *REQUIRED (1)	Surface estate of mineral properties: *REQUIRED (2)
<input type="checkbox"/> Exploration/Reclamation <input type="checkbox"/> Mining/Reclamation <input checked="" type="checkbox"/> Hardrock Exploration/Reclamat	<input type="checkbox"/> Access Equipment <input type="checkbox"/> Suction Dredge <input type="checkbox"/> Reclamation
<input checked="" type="checkbox"/> State (General) <input type="checkbox"/> Private (Patented) <input type="checkbox"/> Private (Native Corp.)	
<input type="checkbox"/> State (Mental Health) <input type="checkbox"/> Federal <input type="checkbox"/> City or Borough	

Check All That Apply: Mineral Property Owner Lessee Operator *Required (3)

Name: Graphite One (Alaska) Primary Phone Number: (907) 632-3493

Address: 600-777 Hornby Street Secondary Phone Number: (907) 830-9107
Vancouver, BC Canada V6Z 1S4 Email: sfoo@graphiteoneinc.com

If Applicable, Corporation Name: _____ Alaska Business/Corporation Entity# _____
 Registered Agent (Corp./LLC/LP) _____ [Click here for the Department of Commerce Link](#)

Check All That Apply: Mineral Property Owner Lessee Operator *Required (4)

Name: Kougarok LLC Primary Phone Number: (907) 443-3044

Address: PO Box 1712 Secondary Phone Number: (907) 443-3044
Nome, AK 99762 Email: _____

If Applicable, Corporation Name: _____ Alaska Business/Corporation Entity# _____
 Registered Agent (Corp./LLC/LP) _____

RECEIVED

APR 14 2022

Check All That Apply: Mineral Property Owner Lessee Operator *Required (5)

Name: Graphite One (Alaska) Primary Phone Number: (907) 632-3493

Address: 600-777 Hornby Street Secondary Phone Number: (907) 830-9107
Vancouver, BC Canada V6Z 1S4 Email: sfoo@graphiteoneinc.com

If Applicable, Corporation Name: _____ Alaska Business/Corporation Entity# _____
 Registered Agent (Corp./LLC/LP) _____

Check All That Apply: Mineral Property Owner Lessee Operator *Required (6)

Name: Graphite One (Alaska) Primary Phone Number: (907) 632-3493

Address: 600-777 Hornby Street Secondary Phone Number: (907) 830-9107
Vancouver, BC Canada V6Z 1S4 Email: sfoo@graphiteoneinc.com

If Applicable, Corporation Name: _____ Alaska Business/Corporation Entity# _____
 Registered Agent (Corp./LLC/LP) _____ Attach a separate sheet for additional contacts

Project Name If Applicable: (7) <u>Graphite Creek Project</u>	Average Number of Workers: *REQUIRED (8) <u>60</u>	Start-Up/Shut Down: (Month/Day) (9) <u>6/1</u> to <u>10/31</u>
--	--	---

Mining District: *REQUIRED (10) <u>Nome (claims also in Kougarok & Port Claren</u>	Applicable USGS Map: *REQUIRED (11) <u>Teller A2</u>	On What Stream Is This Activity? (12) <u>Graphite Creek</u>
--	--	--

Legal Description of mineral properties to be worked (MTRS) *REQUIRED (13)

Example: Fairbanks Meridian Township 001N Range 003E Sections 15, 16, and 21 or F 001N 003E Sec. 15, 16, and 21

K 004S 033W Sec. 29-32
 K 005S 034W Sec. 2, 3, 9-17, 20-35
 K 005S 035W Sec. 25-27, 34-36
 K 005S 033W Sec. 7, 16-21, 29, 30

Internal Use Only:

Date Application Received Complete: _____ Adjudicator: _____ LAS Entry: _____
 CID(s): _____ CID(s): _____ CID(s): _____

2023 Modification #2
Miscellaneous Land Use Permit for Hardrock Exploration and Reclamation #2299
(5/1/2023)

Overview. Graphite One, Alaska (Graphite One) holds a Multi-Year 2022-2026 Miscellaneous Land Use Permit for Hardrock Exploration and Reclamation #2299. This is a modification request to authorize the construction of exploration trails to facilitate the movement of drilling rigs over the deposit area, and one exploration trench. Activities under this amendment are proposed to begin June 1, or whenever this permit modification is approved, whichever is later.

Background. MLUP #2299 was originally issued on April 4, 2017, and renewed on June 24, 2022 for another 5-year term. The MLUP has been amended three times (5/10/2018, 7/21/2021, and 3/21/2023). The MLUP and its amendments currently authorizes exploration drilling of up to 52 diamond core drill holes, 56 geotechnical holes, 50 test pits, a winter access route, and a 60-person camp. Please refer to the exploration report for the 2022 season, and the reclamation report and statement, for more detail

Activities Proposed in This Renewal

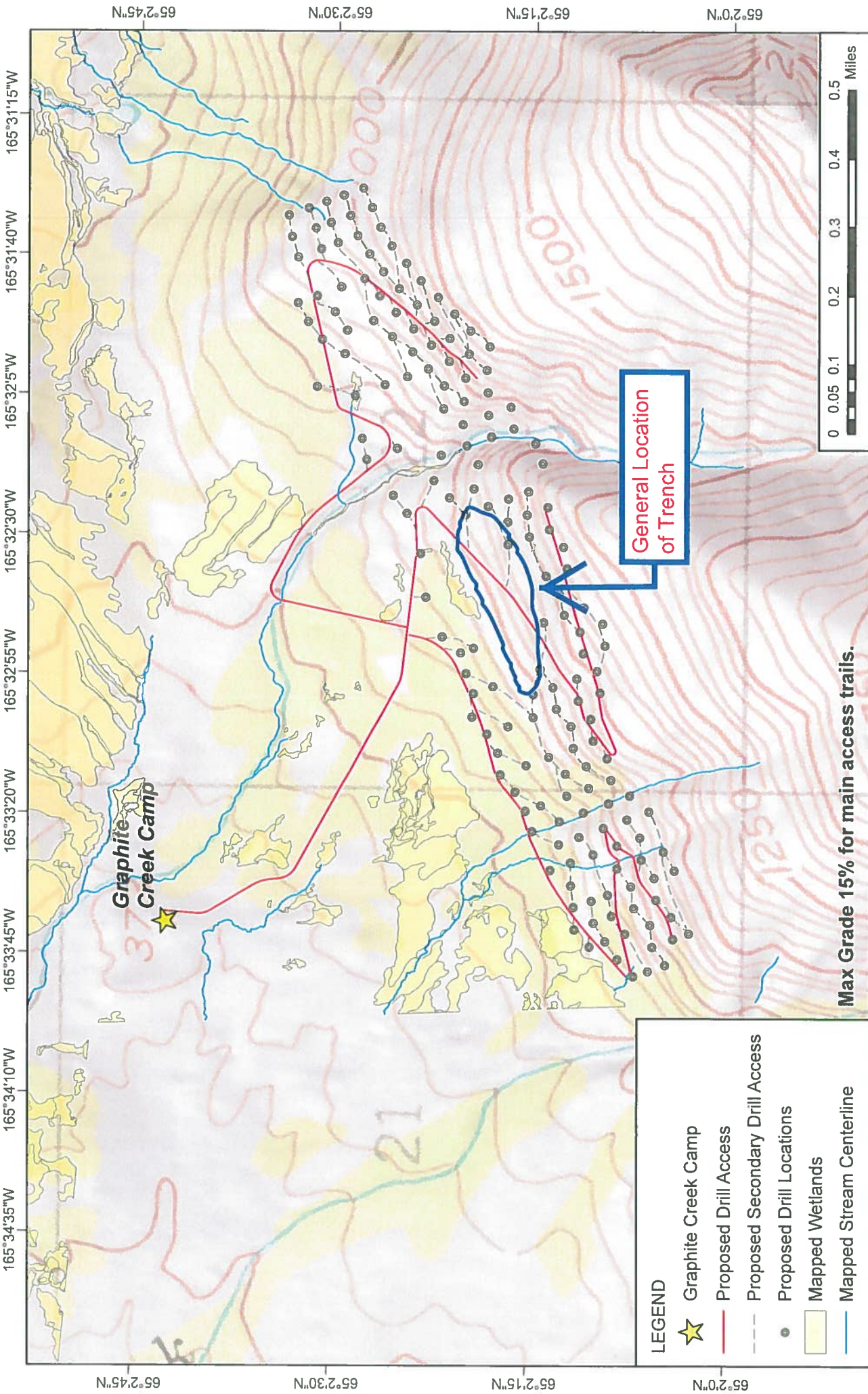
Exploration Trails. This modification request proposes the construction of 8.67 miles of exploration trails over the deposit to facilitate the movement of our drill rigs. The exploration trails will allow us to relocate the drill rigs without using helicopters. The location of the proposed exploration trails is shown on Figure 1. Construction typicals are shown in Figure 2.

Trenches. We propose to excavate one trench in the deposit area for bulk sampling. This trench would be approximately 10 feet wide, 60 feet long, and 5 feet deep. As the trench will be in the area likely to be the mine open pit, we propose to leave this trench open for additional bulk sampling in the future. If a mine is developed, this trench will be mined through. If a mine is not developed, the trench will be reclaimed by sloping, backfilling, and re-seeding.

Before the trench is excavated, the topsoil and organics will be stripped off and segregated. Best management practices will be used to route water away from the trench and to decrease water velocity as it flows through and out of the trench. These may include berms or silt fences to route water away from the trench, and internal waterbars, silt fences, sumps or other mechanisms to slow velocity within the trench if significant water occurs there.

Contact Information. If any agencies or the public has questions about the exploration program, please contact:

Ed Fogels
Permitting Manager
Graphite One (Alaska) Inc.
PO Box 240781
Anchorage, AK. 99524-0781
efogels@graphiteoneinc.com
907-830-9107



LEGEND

- ★ Graphite Creek Camp
- Proposed Drill Access
- - - Proposed Secondary Drill Access
- Proposed Drill Locations
- Mapped Wetlands
- Mapped Stream Centerline

Max Grade 15% for main access trails.

North arrow pointing up.

1" = 1,000'

1:12,000

5/8/2023

North arrow pointing up.

Scale bar: 0 0.05 0.1 0.2 0.3 0.4 0.5 Miles

Inset map of Alaska showing the project area near Fairbanks, Anchorage, and Juneau.

1:70,000,000

Layout: MapLayout_8.5x11L_Bk

Graphite One

NAD 1983 UTM Zone 3N (Meter)
Basemap by USGS and ESRI

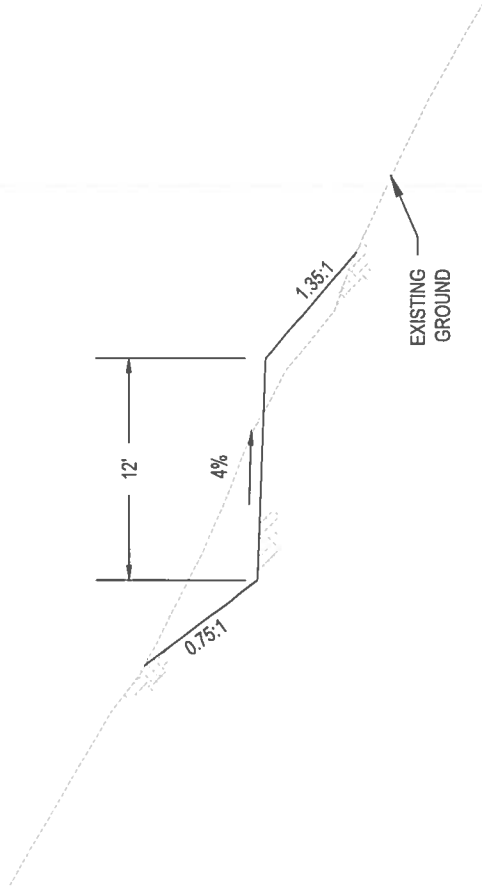
2023/2024 Proposed Drill Access

Figure 2

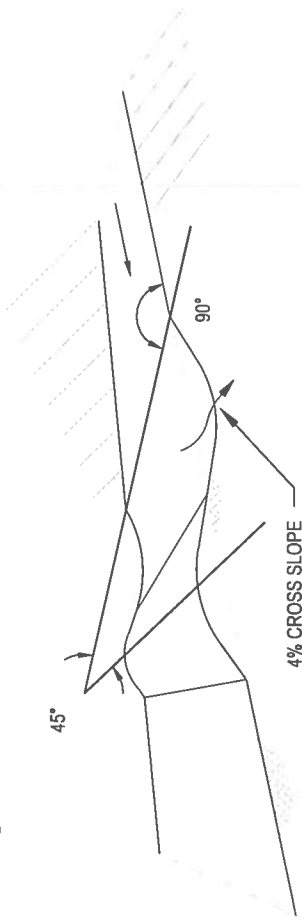
CONSTRUCTION NOTES:

1. EXPLORATION TRAILS ARE FOR USE BY TRACKED EQUIPMENT & ATVs ONLY.
2. TRAIL CONSTRUCTION WILL BE A COMBINATION OF CUT-FILL AND FULL BENCH CUTS. FULL BENCH WILL BE REQUIRED ON SLOPES GREATER THAN 1.3:1.
3. WHERE FULL BENCH IS REQUIRED, EXCAVATED MATERIAL WILL BE SIDE CAST DOWN SLOPE.
4. NO MATERIAL TO BE IMPORTED FOR TRAIL CONSTRUCTION.
5. MAX GRADE OF 15% FOR PRIMARY EXPLORATION TRAILS.
6. MAX GRADE OF 20% FOR SECONDARY EXPLORATION TRAILS.
7. CUT SLOPES WILL VARY DEPENDING ON SOIL OR ROCK TYPE AND CHARACTER.
8. ALL EXPLORATION TRAILS ARE TO HAVE A MIN. CROSS SLOPE OF 4%.
9. WATER BARS ARE TO BE INSTALLED EVERY 125-FT.
10. WATER BARS ARE TO BE INSTALLED EVERY 60-FT WHERE THE ROAD GRADE IS 20%.

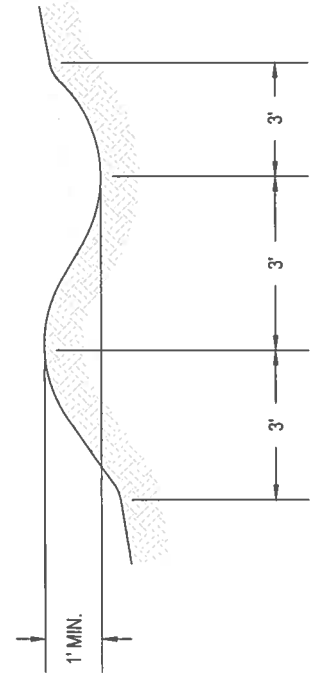
1 EXPLORATION TRAIL TYPICAL CROSS SECTION
NTS



2 TYPICAL WATER BAR
NTS



3 TYPICAL WATER BAR - CROSS SECTION
NTS



GRAPHITE ONE PROJECT		DATE	05/01/2023
EXPLORATION TRAIL		PLOT SIZE	8.5" x 11"
TYPICAL		PERMIT NO.	
APPLICANT: GRAPHITE ONE (ALASKA) INC. STE. 600, 777 HORNBY ST. VANCOUVER, BC, V6Z 1S4, CANADA		SHEET	1 OF 1

APMA 2299 Active Area



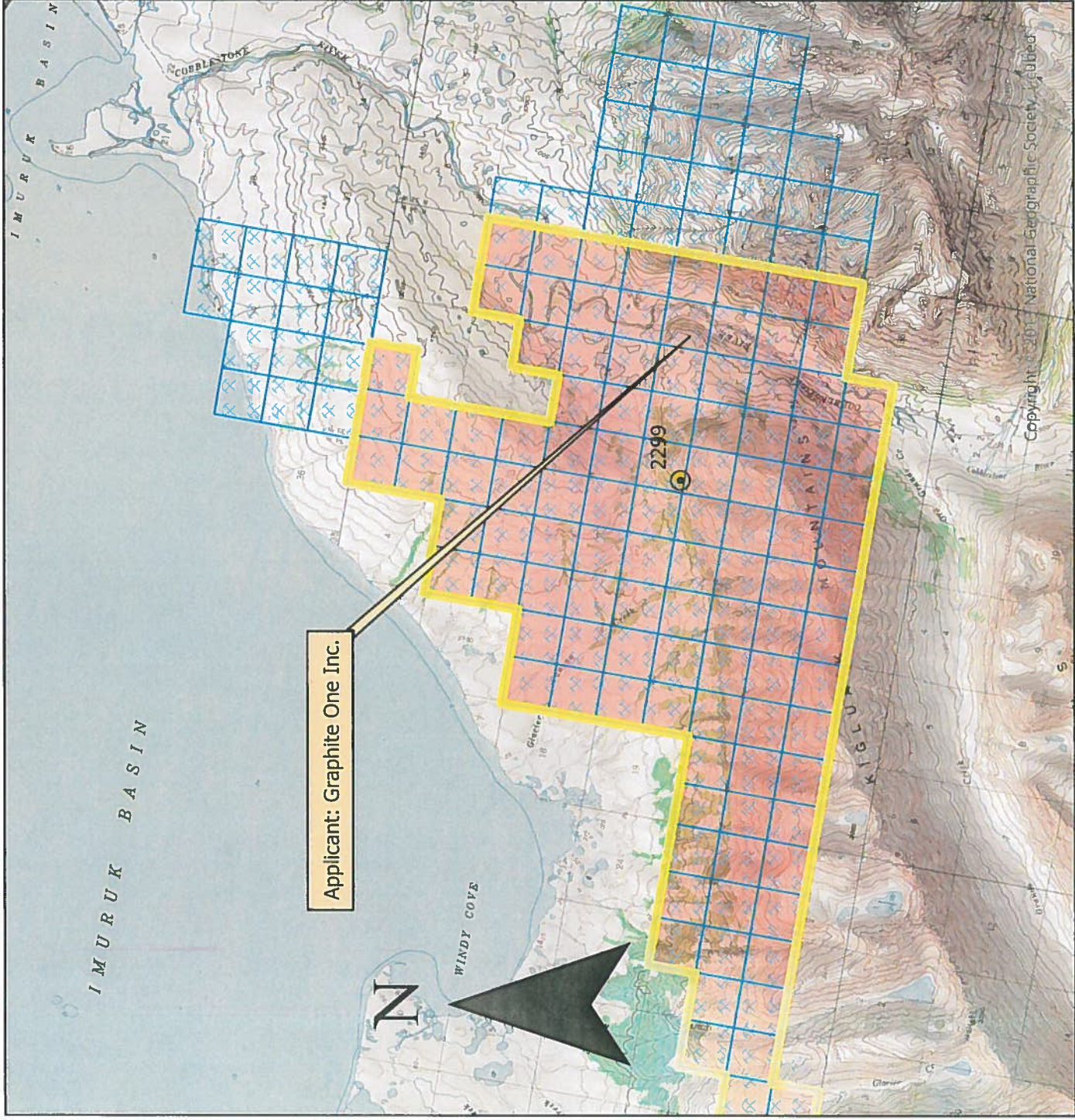
This map was created on 2/2/2023 by the Alaska Department of Natural Resources as a courtesy to supplement the application received. This map displays a graphical illustration only. Source documents remain the official record.

The State of Alaska makes no express or implied warranties (including warranties of merchantability and fitness) with respect to the character, function, or capabilities of electronic services or products or their appropriateness for any user's purposes. In no event will the State of Alaska be liable for any incidental, indirect, special, consequential or other damages suffered by the user or any other person or entity whether from the use of the electronic services or products, any failure thereof or otherwise, and in no event will the State of Alaska's liability to the requestor or anyone else exceed the fee paid for the electronic service or product.

APMA Type Scale: 1:99,000

 Hardrock Exploration

Center: 165°34'9"W 65°3'36"N



Copyright © 2013 National Geographic Society, Inc.

Created By
Date

Michael LaDouceur

2/2/2023
