

Overland Conveyor Systems

April 10, 2009

Rick Fredericksen
Mining Section Chief
Division of Mining, Land and
Water

Location	Commodity	Length (miles)	Capacity (tonshour)	Belt Width (inches)	Flights
Bu Craa, Western Sahara	Phosphate	62.1	2,400	39.4	11
Worsley, Western Australia	Bauxite	31.7	3,030	35.4	2
Kayenta, Arizona	Coal	17.0	1,800	42.0	6
Henderson, Colorado	Mo ore	15.0	1,600	48.0	3
Indo Kodeco, Indonesia	Limestone	15.0	3,140		5
Secunda, South Africa	Coal	13.2	2,200	47.2/82.7	
Curragh, Eastern Australia	Coal	12.6	2,750	47.2	1
Sandown Mine, Texas	Coal	12.0	900	36.0	1
			4,400-		
Chuitna Mine, Alaska	Coal	12.0	5,000	72.0	3
Lafarge Surma, India	Limestone	10.6	1,050	31.5	1
Dawson Mine Complex, Australia	Coal	10.0	2,200		
Zisco, Zimbabwe	Fe ore	9.6	2,000	41.3	1
Crinum Mine, Australia	Coal	9.3	1,100		1
El Abra, Chile	Cu ore	8.7	1,400		2
Trombetas, Brazil	Bauxite	8.7	3,100	48.0	4
Muja/Collie, Western Australia	Coal	8.7	848	31.5	3
Middleburg Mine, South Africa	Coal	8.3	2,000	41.3	3
Kaltim Prima Coal, Indonesia	Coal	8.1	4,630	39.4	
Quintette Mine, BC Canada	Coal	8.1	2,200	41.3	2
Los Pelambres, Chile	Cu ore	7.9	9,600	72.0	3
Selby Coal Mines, UK	Coal	7.6	2,750	47.2	
Obed Mountain, Alberta Canada	Coal	6.6	770	36.0	1
Channar Iron, Australia	Fe ore	6.2	2,400	41.3	2
Tianjin, China	Coal	5.6	6,600		
Bingham Canyon, Utah	Cu ore	5.6	11,020	72.0	5
Coahuila, Mexico	Coal	5.6	1,000	35.4	
Collahuasi Mine, N. Chile	Cu ore	5.3	8,300	72.0	
Atocongo (Lima), Peru	Hot Clinker	5.1/10.2	700	12.0 dia.	1
Robinson Run W Virginia	Coal	4.2	2,500	60.0	3



Bu Craa,
Morocco
Phosphate
Conveyor

62.1 mi
11 flights

Rockdale Texas (bauxite)

one of the longest single-belt overland conveyor in the world –
12 miles, 1 flight



The longest single-belt conveyor in the world

Worsley Bauxite Mine, Australia



31.7 mi.
2 flights

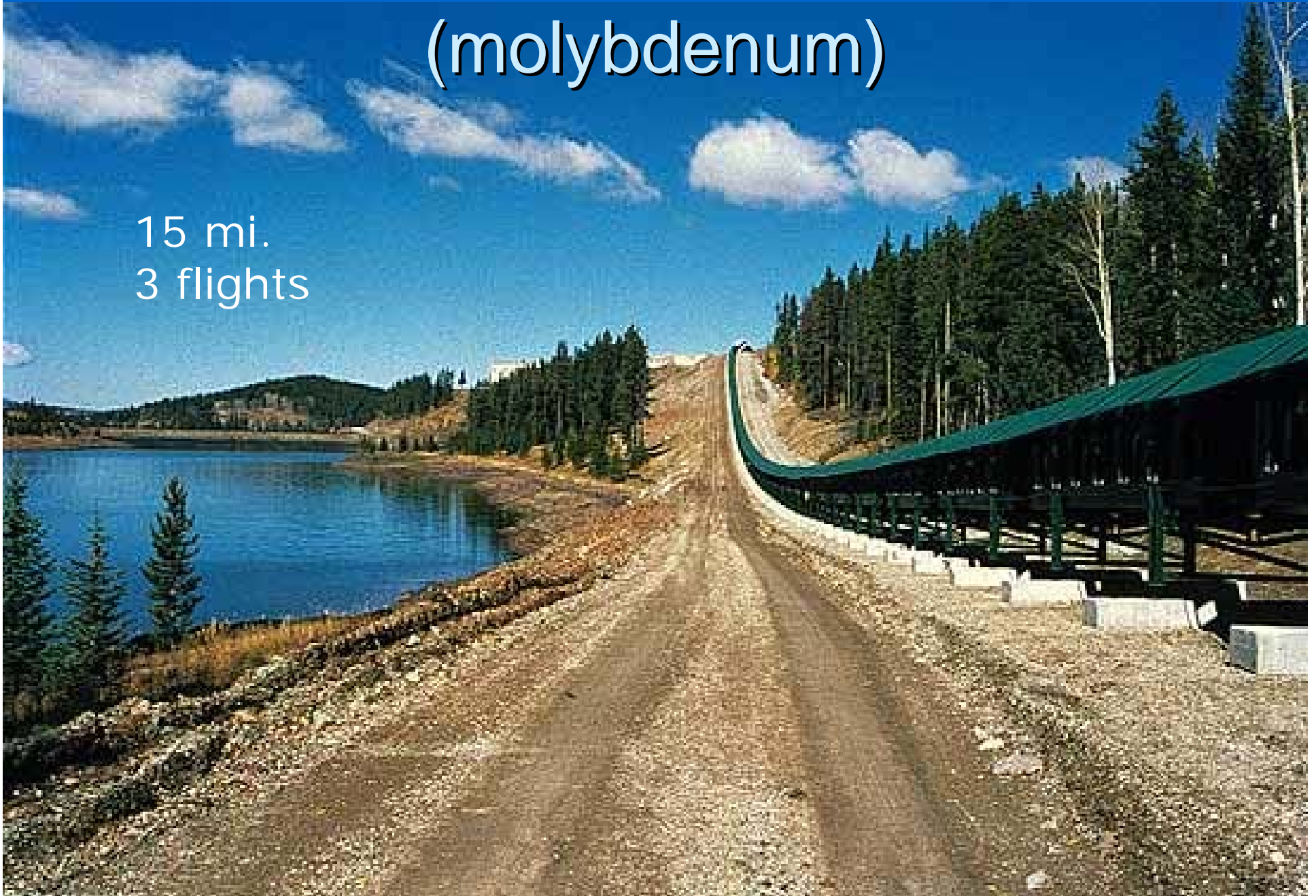
Longest
Flight
19.2 mi

Worsley, Australia (bauxite)



Henderson Mine, Colorado (molybdenum)

15 mi.
3 flights



Henderson Mine



15 mi.
3 flights

Quinette, British Columbia (coal)

8.1 mi.
2 flights



Obed Mtn, Alberta (coal)



6.6 mi.
1 flight

Pierina Mine, Peru (gold)



Doppelmayr Systems (Europe)



Rope Conveyor



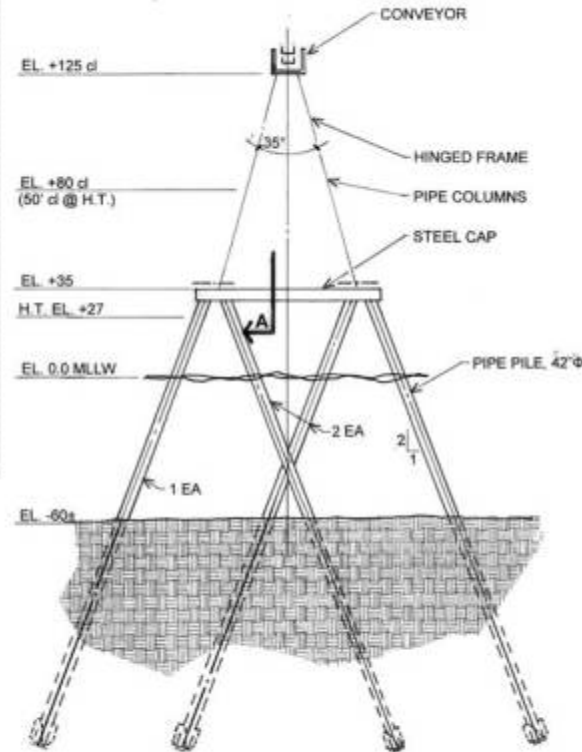
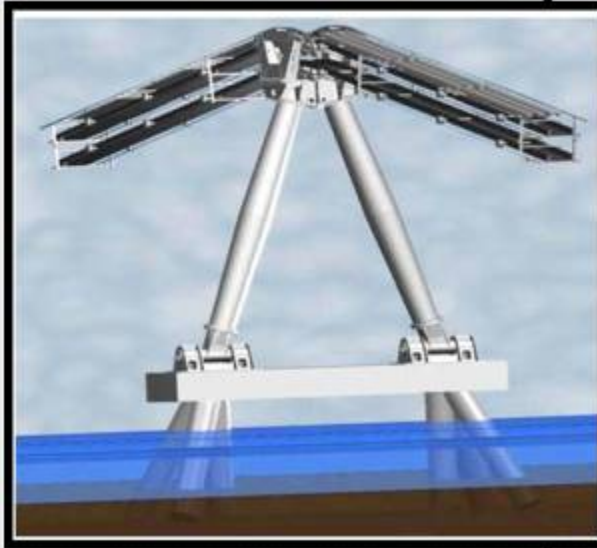
Austrian
Alps
Elev. 4500 ft.



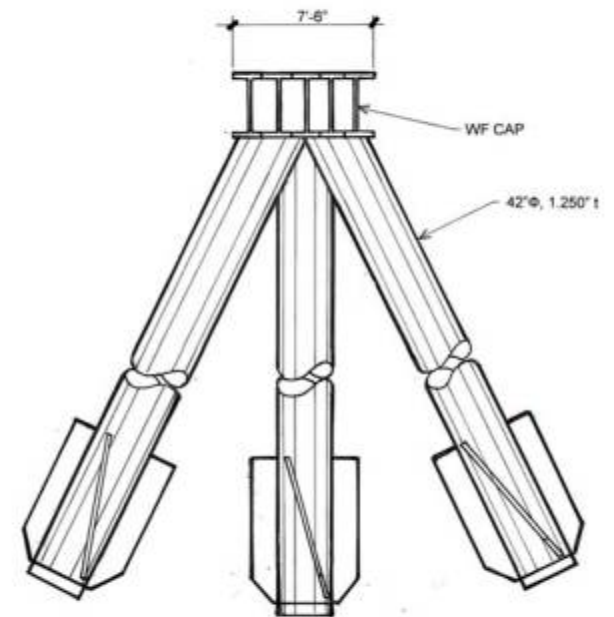
Rope Conveyor

Alps

Rope Conveyor Support Structures

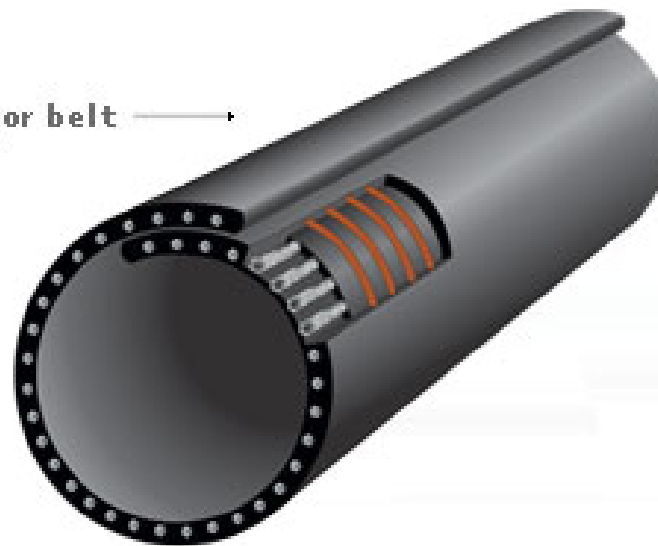
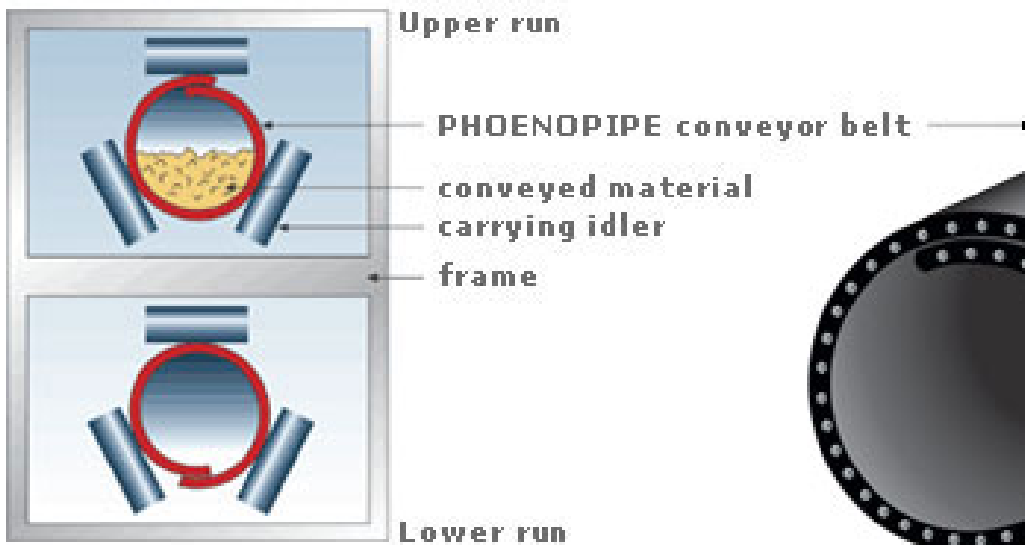


TYPICAL OFFSHORE PIER



SECTION A

Pipe Conveyor Lima, Peru (cinders and limestone)



5.1 mi.
one way