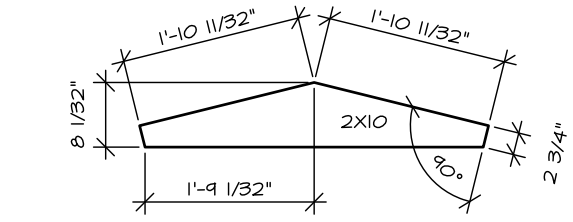
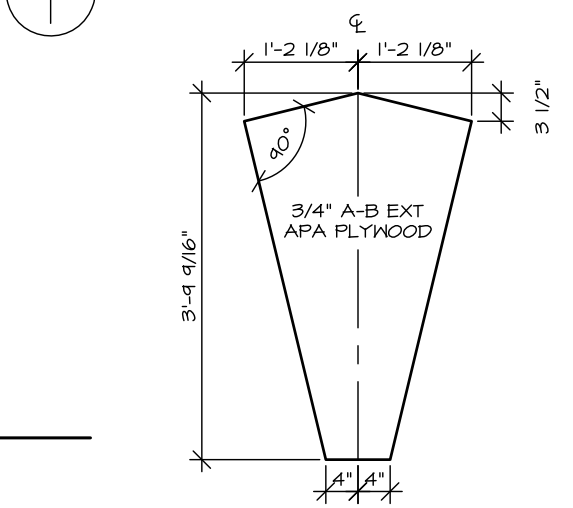


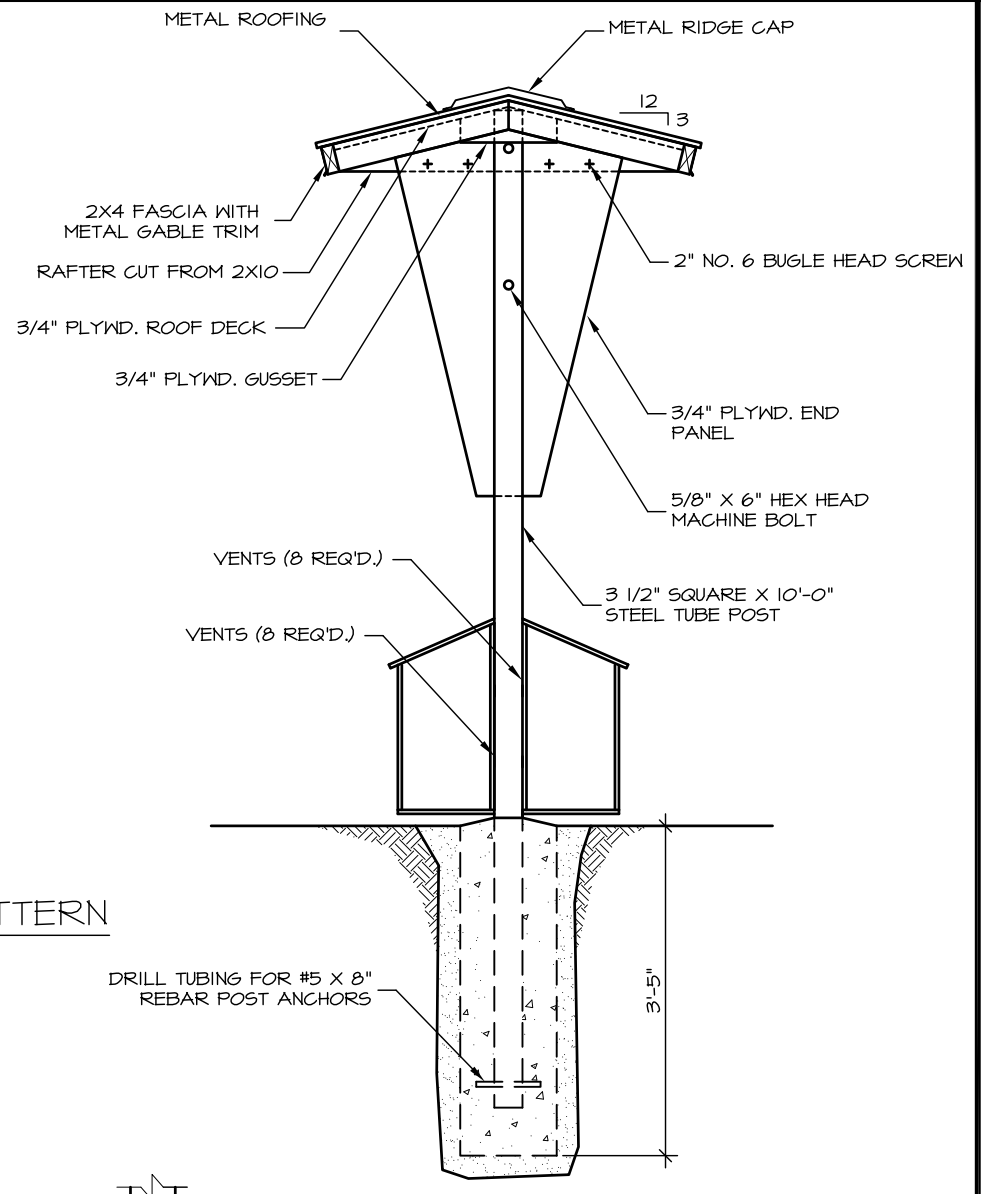
2 FRONT ELEVATION



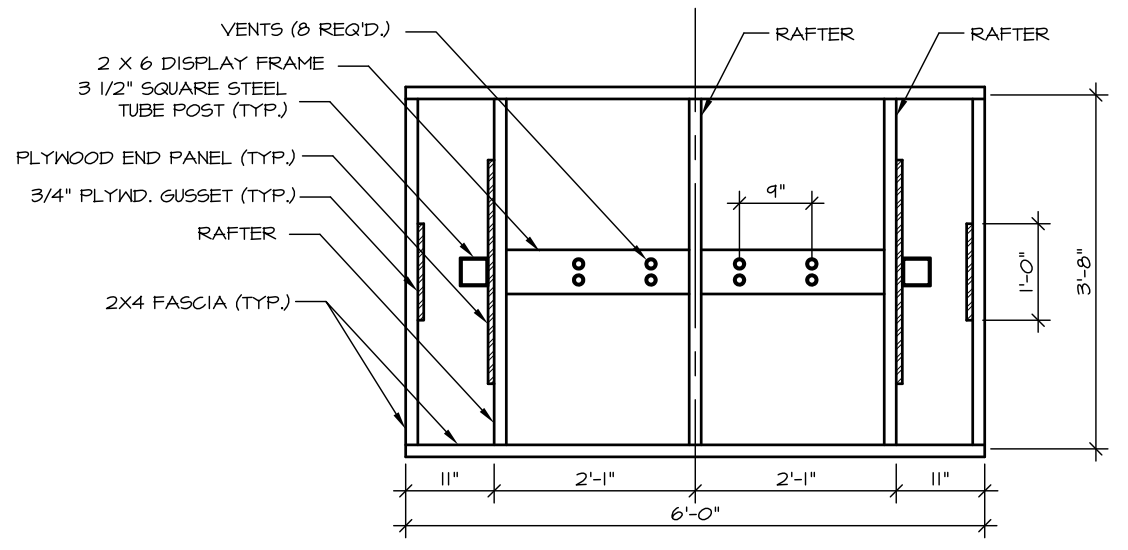
4 2X8 RAFTER PATTERN



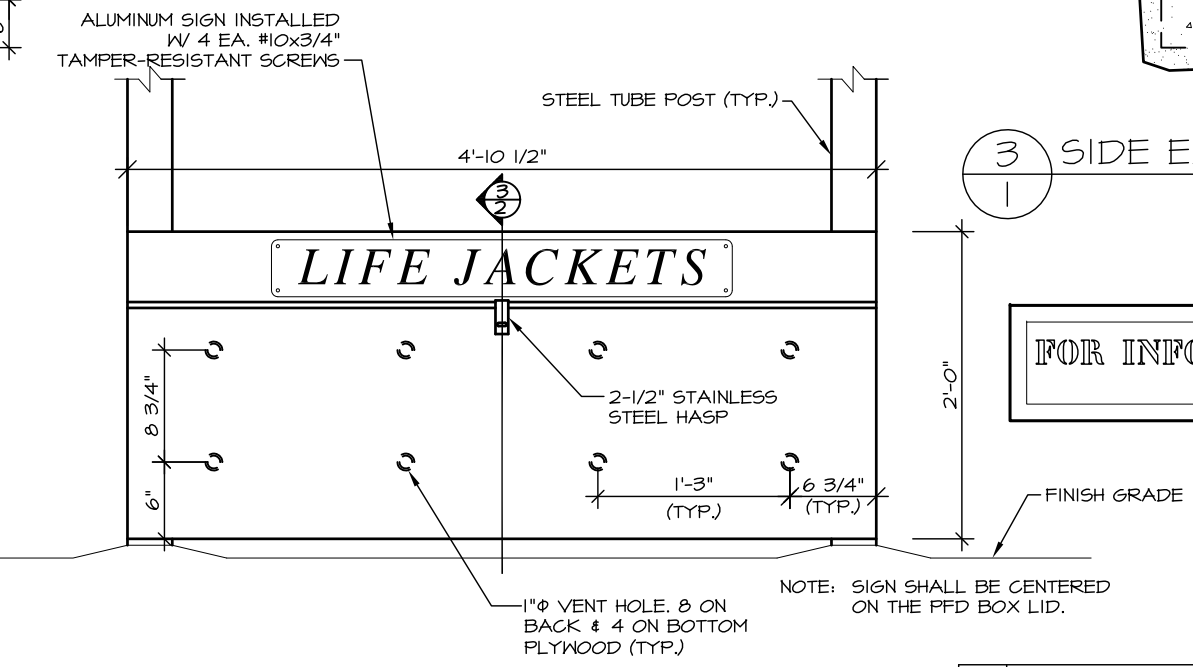
5 PLYWOOD END PANEL PATTERN



3 SIDE ELEVATION



1 ROOF FRAMING PLAN

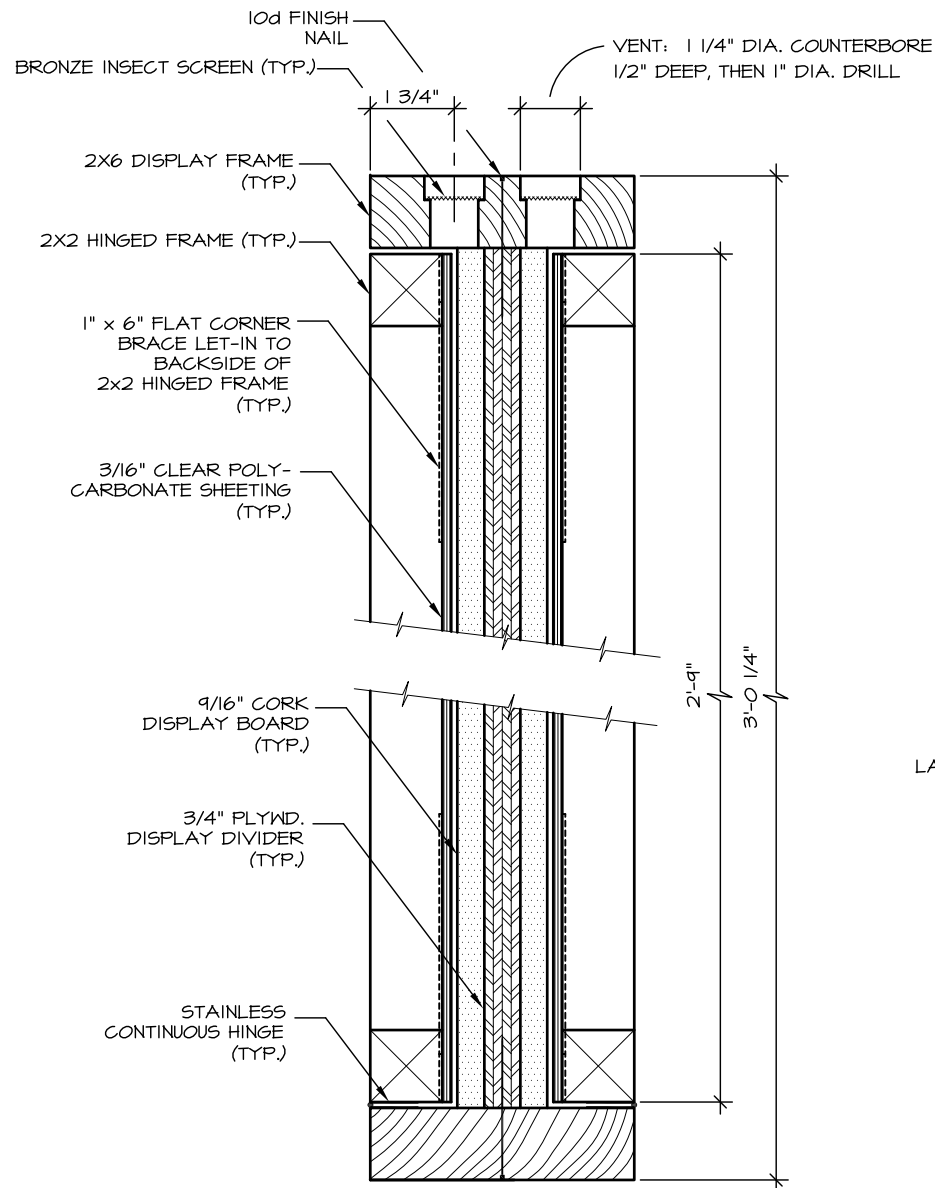


6 PFD BOX

FOR INFORMATIONAL USE ONLY
Alaska State Parks

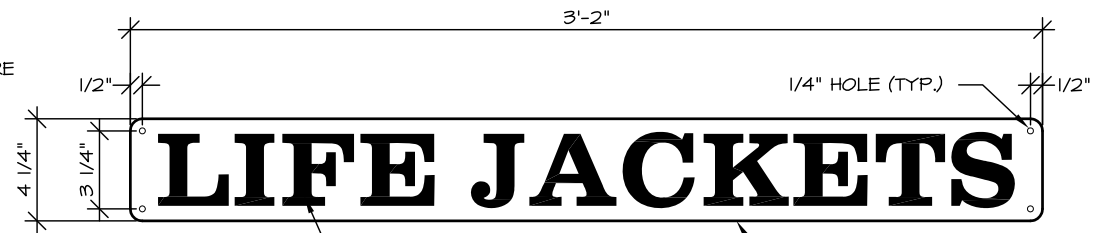
NO.	REVISION	DATE	APPROVED
5	CHANGED "LIFE JACKETS" TO BE A SIGN	12/10	MPS
4	ADDED VENT HOLES ON BOTTOM OF PFD BOX.	12/10	MPS
3	CHANGED ROOFING MAT'L, RAFTER SIZE, & FASCIA SIZE	12/10	MPS
2	UPDATED STATE PARK LOGO	12/08	MPS
1	CHANGED TITLE BLOCK, CORRECTED BOX DIMEN.	12/07	MPS



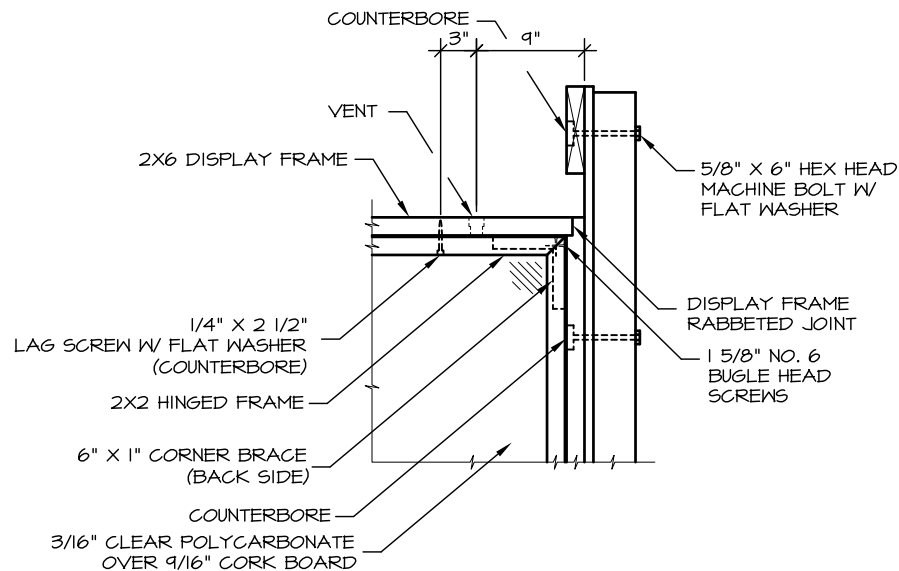


1
2 DISPLAY FRAME SECTION

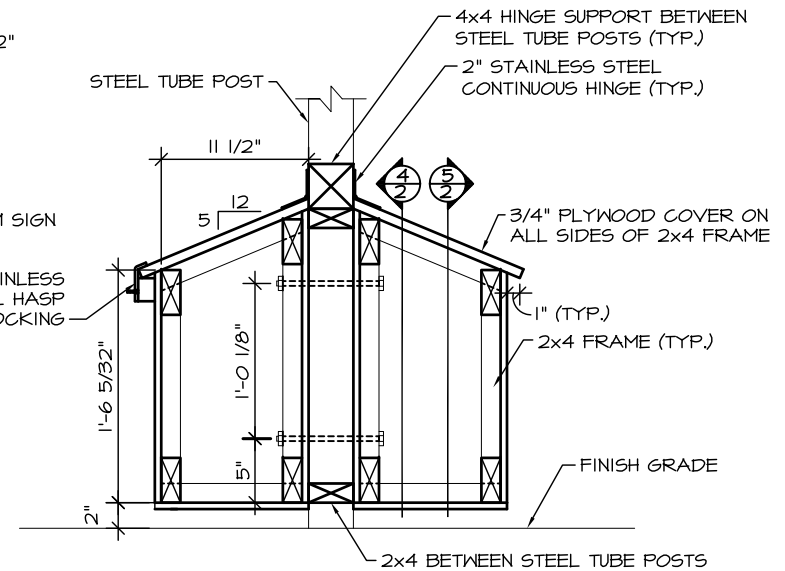
NOTES:
ALL COMPONENTS OF THE PFD BOX SHALL BE CONNECTED WITH APPROPRIATE FASTENERS TO SECURELY HOLD THE MEMBERS IN PLACE.



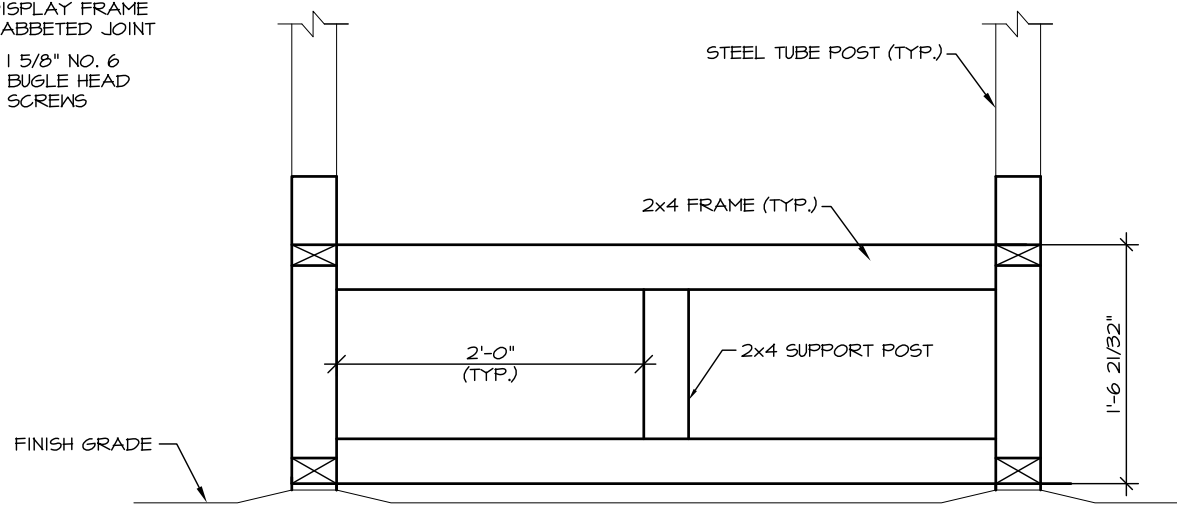
6
2 FRAME DETAIL



2
2 FRAME DETAIL

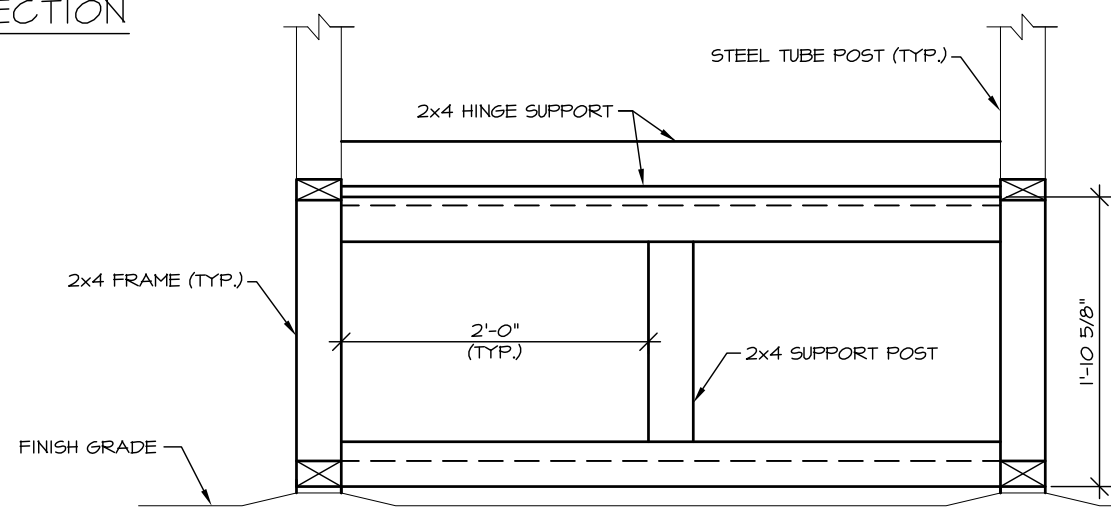


3
2 PFD BOX FRAME DETAIL SIDE SECTION



5
2 PFD BOX FRAME DETAIL FRONT

NOTE: PLYWOOD COVER NOT SHOWN FOR CLARITY.



4
2 PFD BOX FRAME DETAIL BACK

NOTE: PLYWOOD COVER NOT SHOWN FOR CLARITY.

FOR INFORMATIONAL USE ONLY
Alaska State Parks

NO.	REVISION	DATE	APPROVED
3	ADDED SIGN DETAIL	12/10	MPS
2	UPDATED STATE PARK LOGO	12/10	MPS
1	CHANGED TITLE BLOCK, CORRECTED BOX DIMEN.	12/07	MPS

STATE OF ALASKA DEPARTMENT OF NATURAL RESOURCES

"KIDS DON'T FLOAT" KIOSK, TYPE A

DESIGN & CONSTRUCTION SECTION



PREPARED: JSG
DRAWN: JSG
REVIEWED: MPS
DATE: 07/06

SHEET 2

S-12A
OF 2 SHEETS