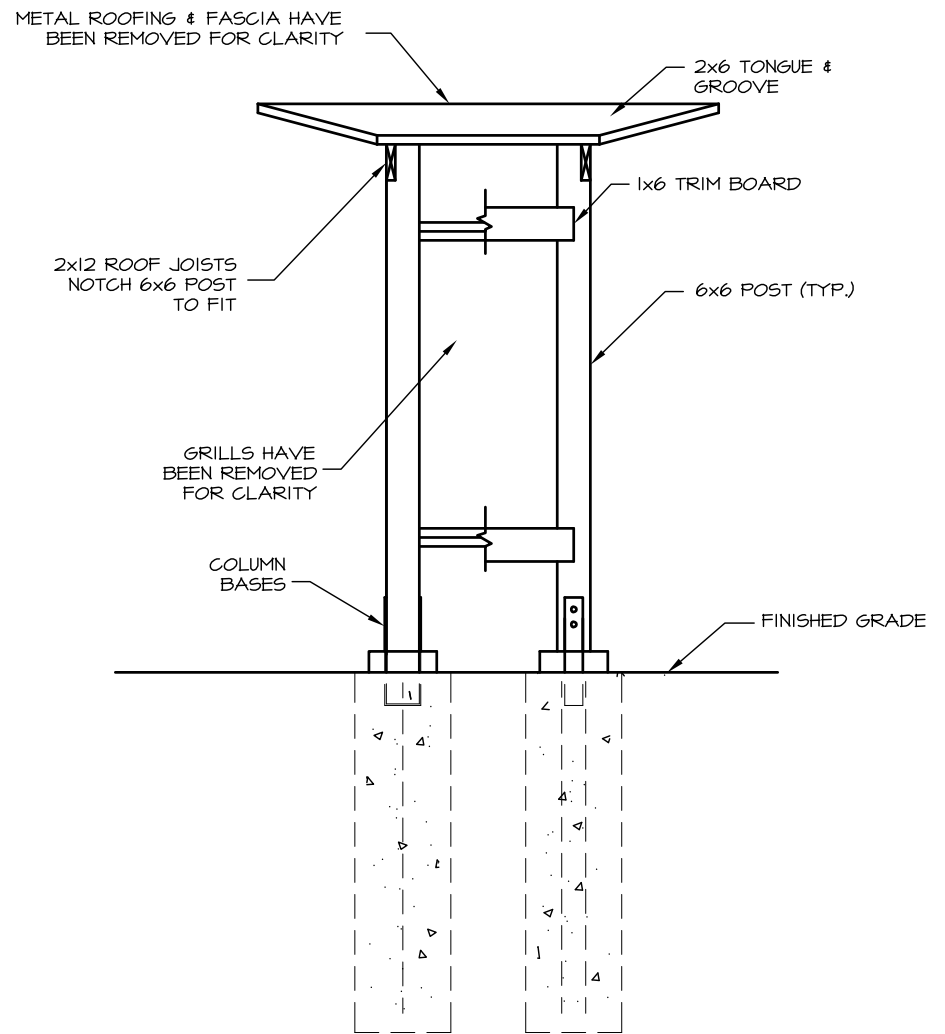
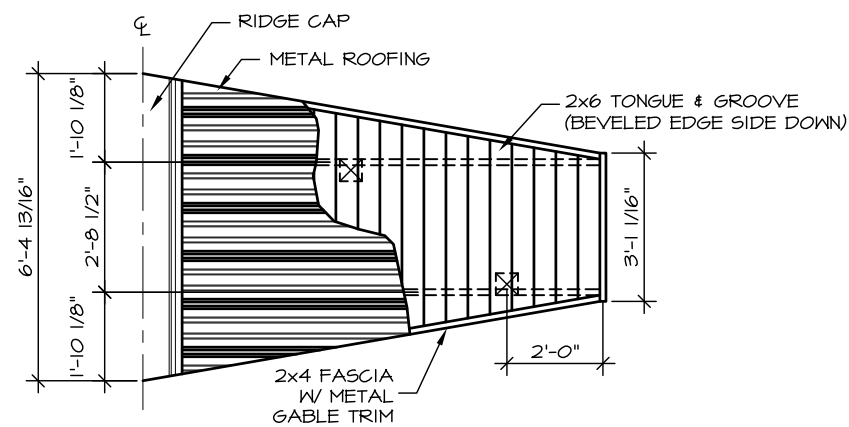


FRONT



SIDE



ROOFING PLAN

FOR INFORMATIONAL USE ONLY
Alaska State Parks

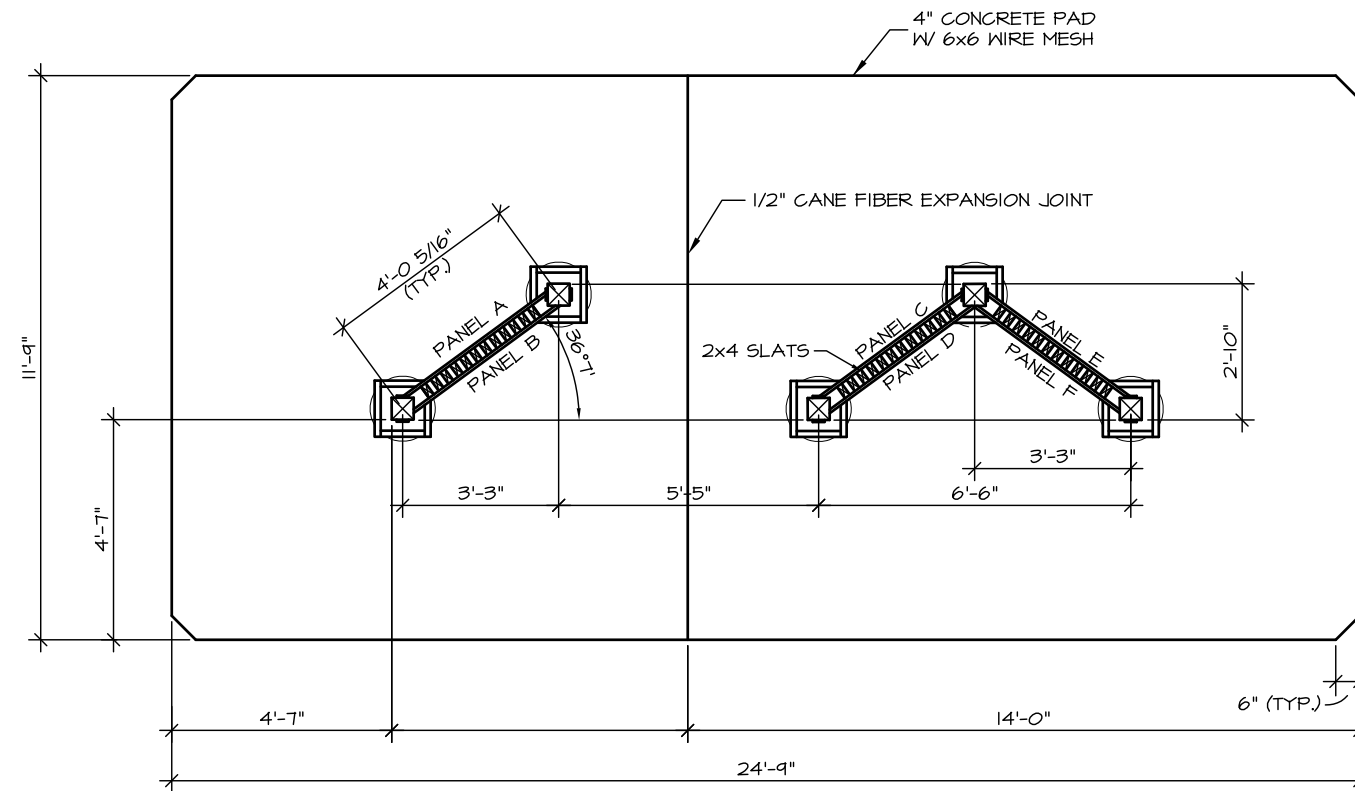
NO.	REVISION	DATE	APPROVED
9	ADDED FASTENER SIZE ON MAIN STRUCTURE	12/10	MPS
8	CHANGED STATE PARK LOGO	12/10	MPS
7	CHANGED REBAR SIZE & NUMBER OF IN FOOTING	12/08	MPS
6	CHANGED ROOFING MAT'L AND FASCIA SIZE	12/08	MPS
5	CHANGED TITLE BLOCK	12/07	MPS
4	REDESIGNED FOOTING / REMOVED ROUGH STONE MASONRY	12/04	MPS
3	REPLACED STAMP	3/04	MPS



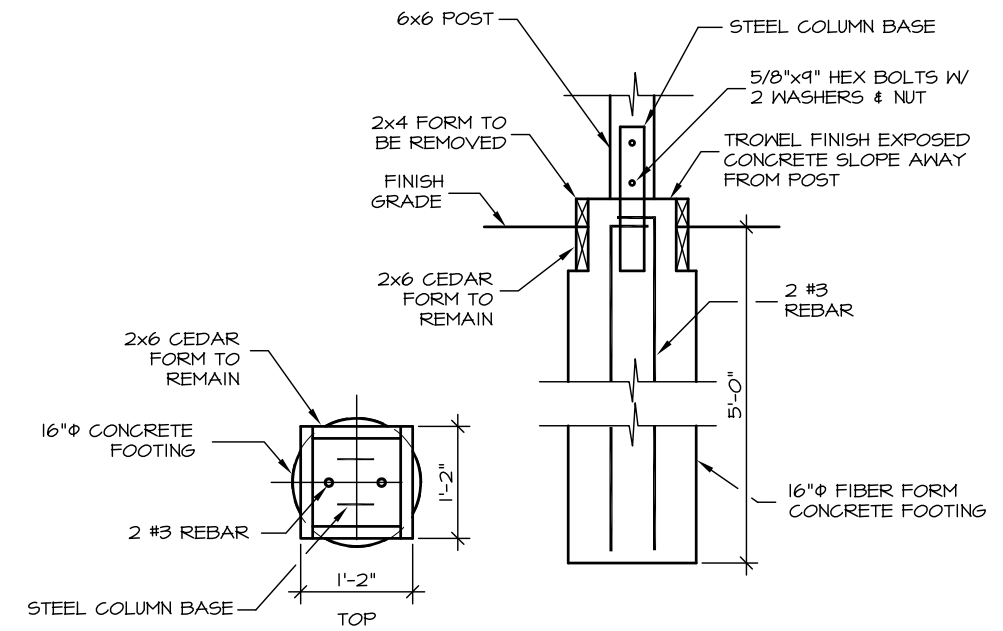
PREPARED: RJD
DRAWN: RJD
REVIEWED: DH
DATE: 11/5/98

SHEET 1

S-10C
OF 3 SHEETS



① PLAN VIEW & CONCRETE PAD



② CONCRETE FOOTING

FOR INFORMATIONAL USE ONLY
Alaska State Parks

NO.	REVISION	DATE	APPROVED
7	CHANGED STATE PARK LOGO	12/10	MPS
6	ADDED CONCRETE FOOTING DETAIL	12/08	MPS
5	CHANGED TITLE BLOCK	12/07	MPS
4	REDESIGNED FOOTING / REMOVED ROUGH STONE MASONRY	12/04	MPS
3	REPLACED STAMP	3/04	MPS
2	REPLACED STAMP	3/02	DH
1	REDESIGN/REDRAW TO ELECTRONIC MEDIA	11/98	RJD



PREPARED: RJD
DRAWN: RJD
REVIEWED: DH
DATE: 11/5/98

SHEET 3

S-10C
OF 3 SHEETS