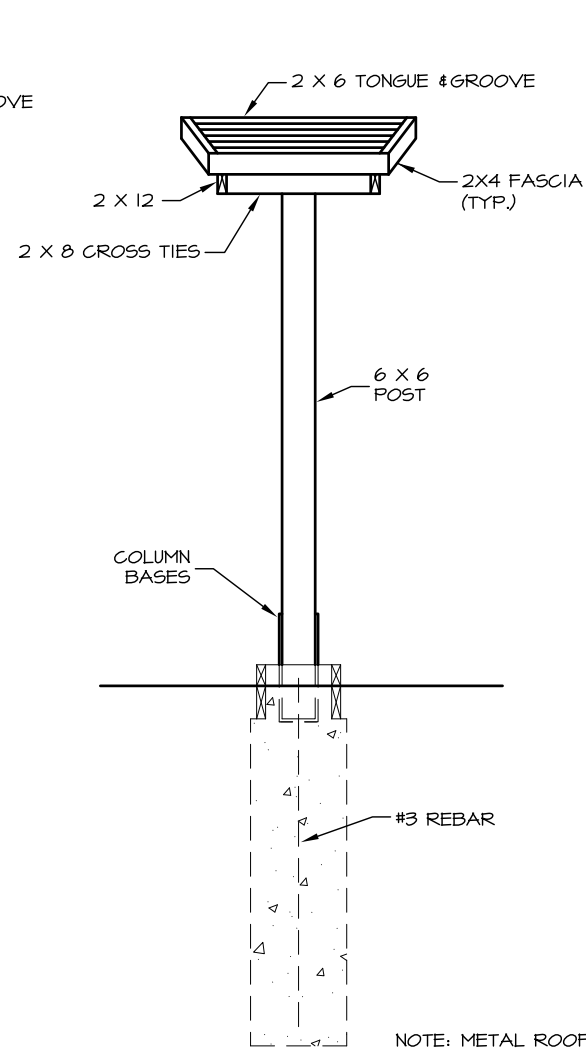
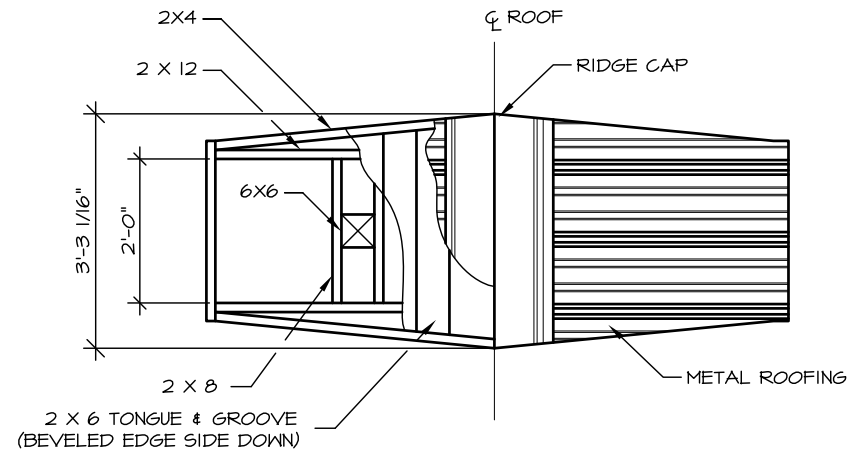


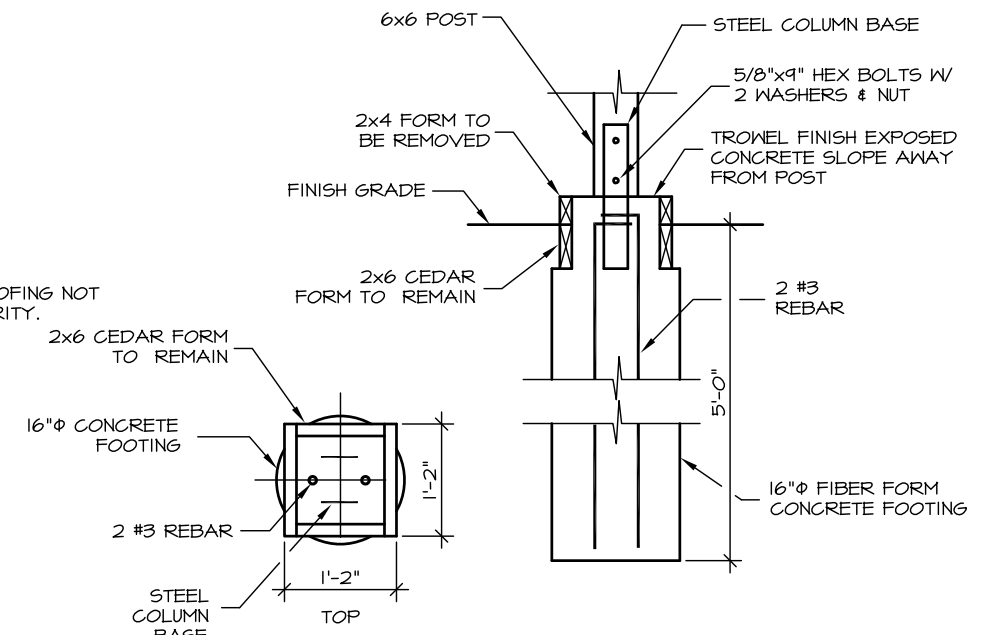
⊕ SIDE ELEVATION



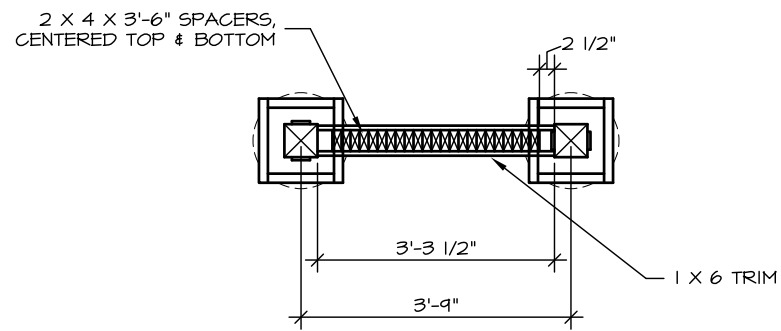
⊕ END ELEVATION



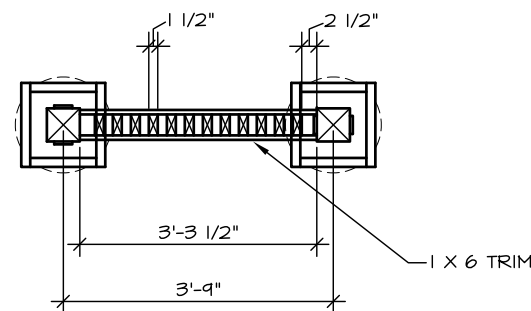
⊕ ROOF-PLAN VIEW



⊕ CONCRETE FOOTING



⊕ SECTION



⊕ SECTION

FOR INFORMATIONAL USE ONLY  
Alaska State Parks

NO.	REVISION	DATE	APPROVED
10	CHANGED STATE PARK LOGO	04/10	MP5
9	CHANGED ROOFING MATERIAL & FASCIA SIZE	12/08	MP5
8	CHANGED TITLE BLOCK	12/07	MP5
7	REDESIGNED KIOSK BASE	12/04	MP5
6	REPLACED STAMP	3/04	MP5
5	REPLACED STAMP/ADDED SECTION	3/02	DH
4	CHANGE TERMINOLOGY/TURN POST BRACKET	12/97	BSD
3	REDESIGN/REDRAW TO ELECTRONIC MEDIA	6/95	PJN



PREPARED: D.N.  
DRAWN: R.K.  
REVIEWED: TAY  
DATE: 2/25/05

SHEET 1  
S-10A  
OF 2 SHEETS



PREPARED: D.N.  
DRAWN: R.K.  
REVIEWED:  
DATE: 2/25/05

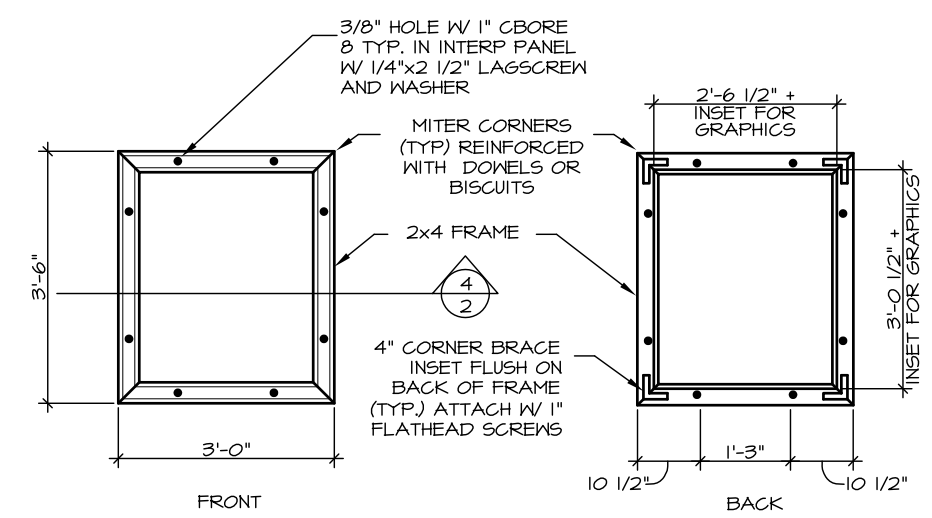
SHEET 2

S-10A

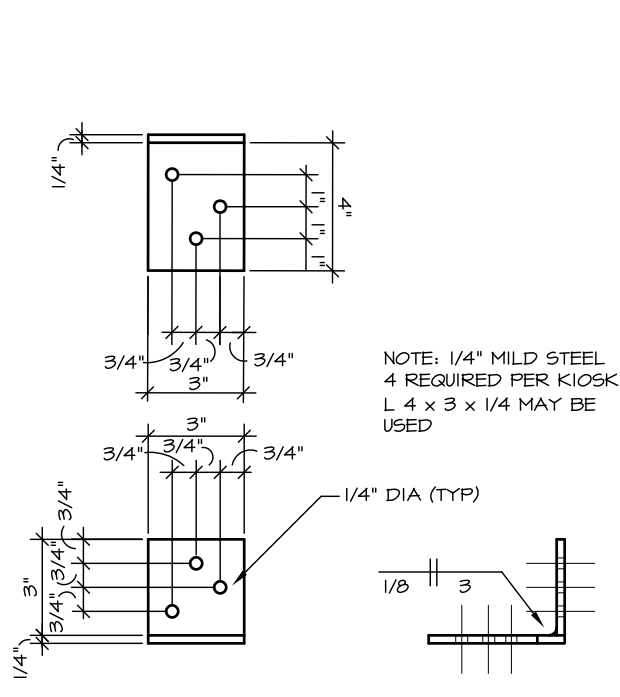
OF 2 SHEETS

FOR INFORMATIONAL USE ONLY  
Alaska State Parks

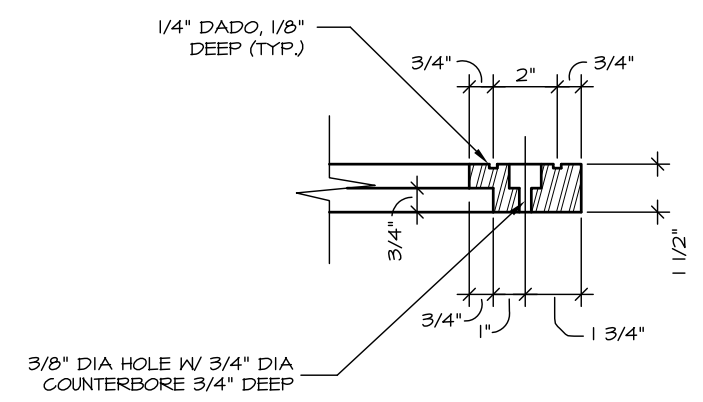
NO.	REVISION	DATE	APPROVED
6	CHANGED STATE PARK LOGO	04/10	MPS
5	CHANGED TITLE BLOCK	12/07	MPS
4	REPLACED STAMP	3/04	MPS
3	REPLACED STAMP	3/02	DH
2	REMOVE MAT. LIST/NOTES. DRAWING NAME/NUMBER	12/97	BSD
1	REDESIGN/REDRAW TO ELECTRONIC MEDIA	6/95	P.J.



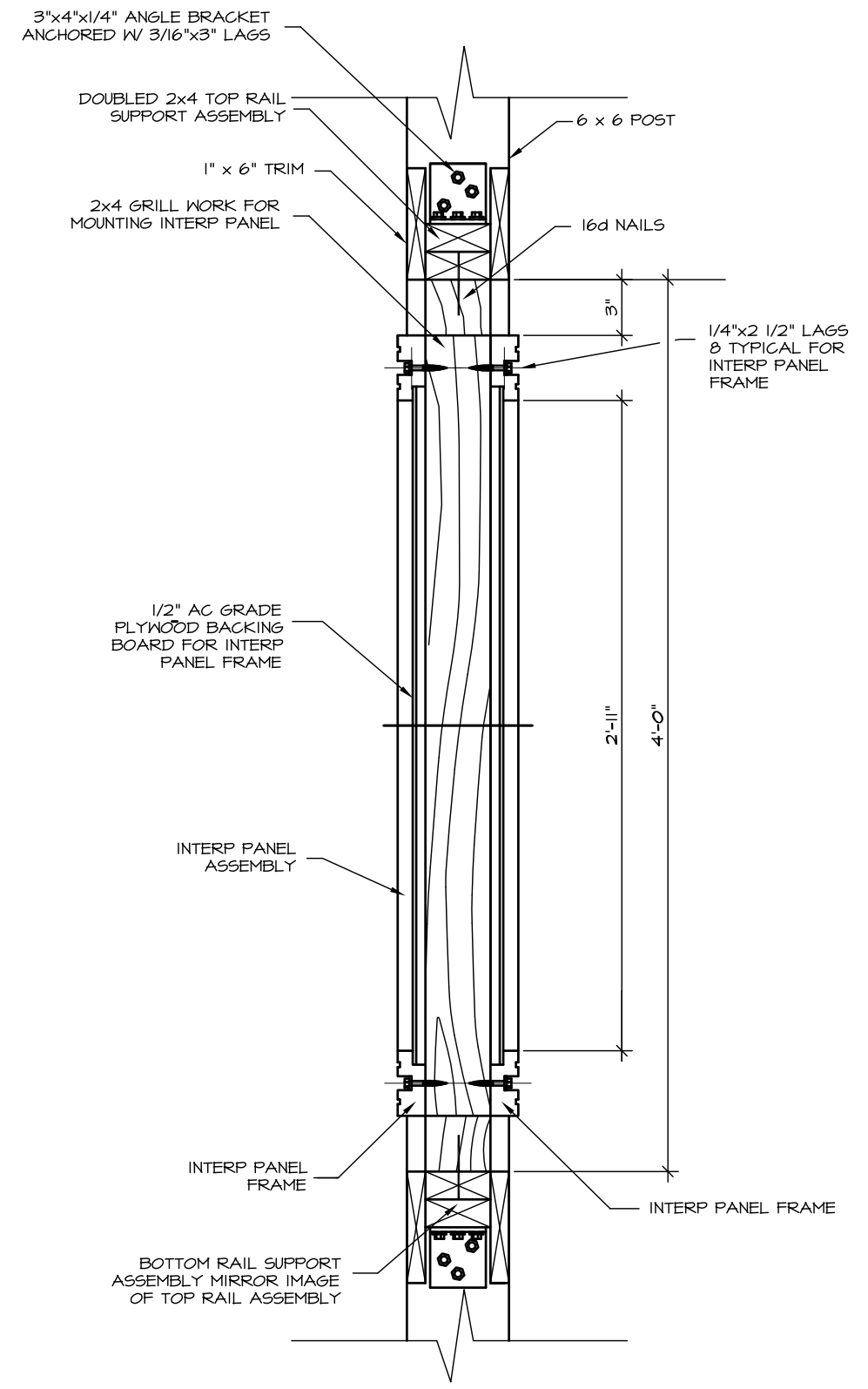
② INTERPRETIVE PANEL  
② FRAME (2 REQ'D)



③ ANGLE BRACKET



④ SECTION



① SECTION