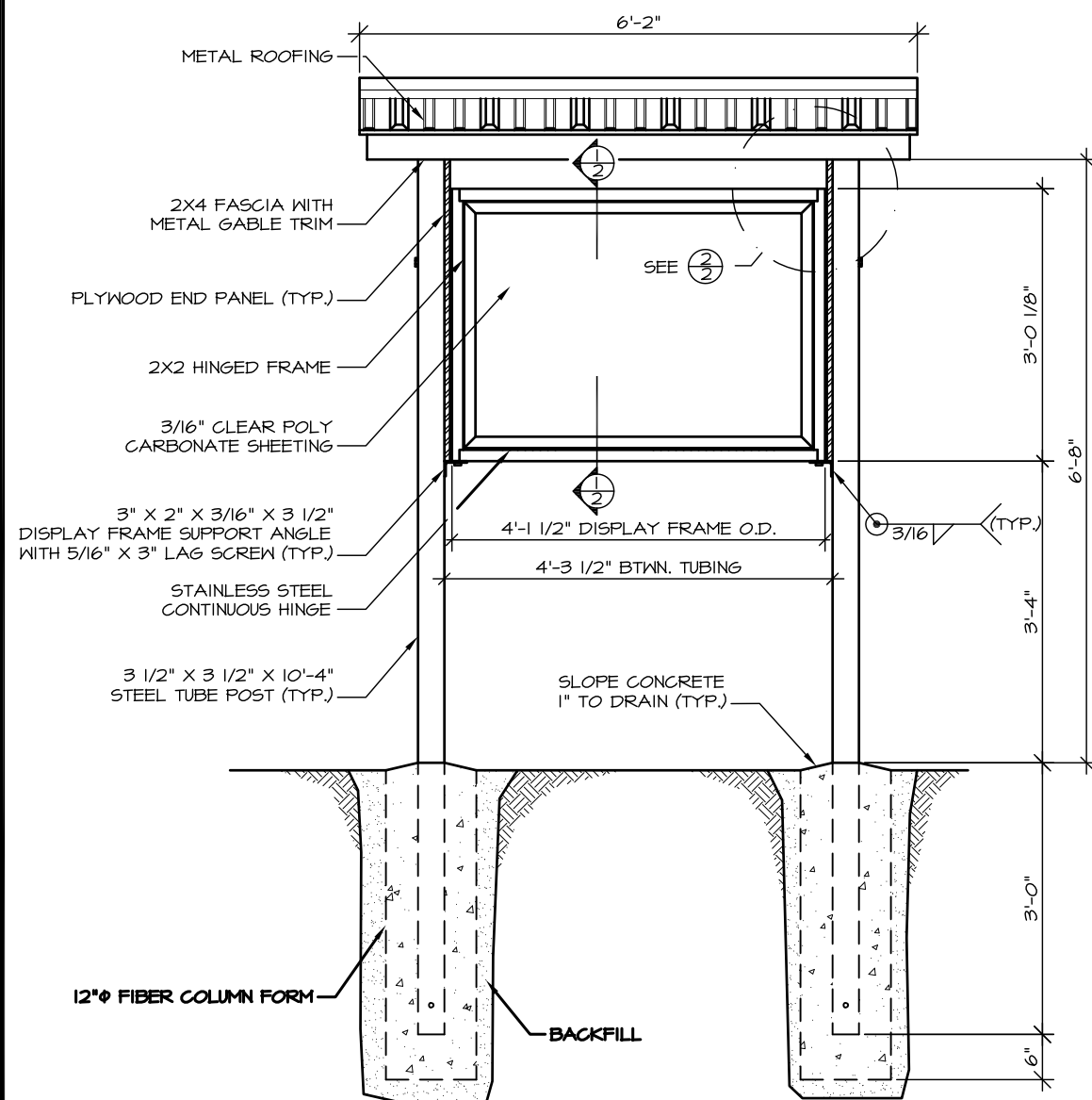
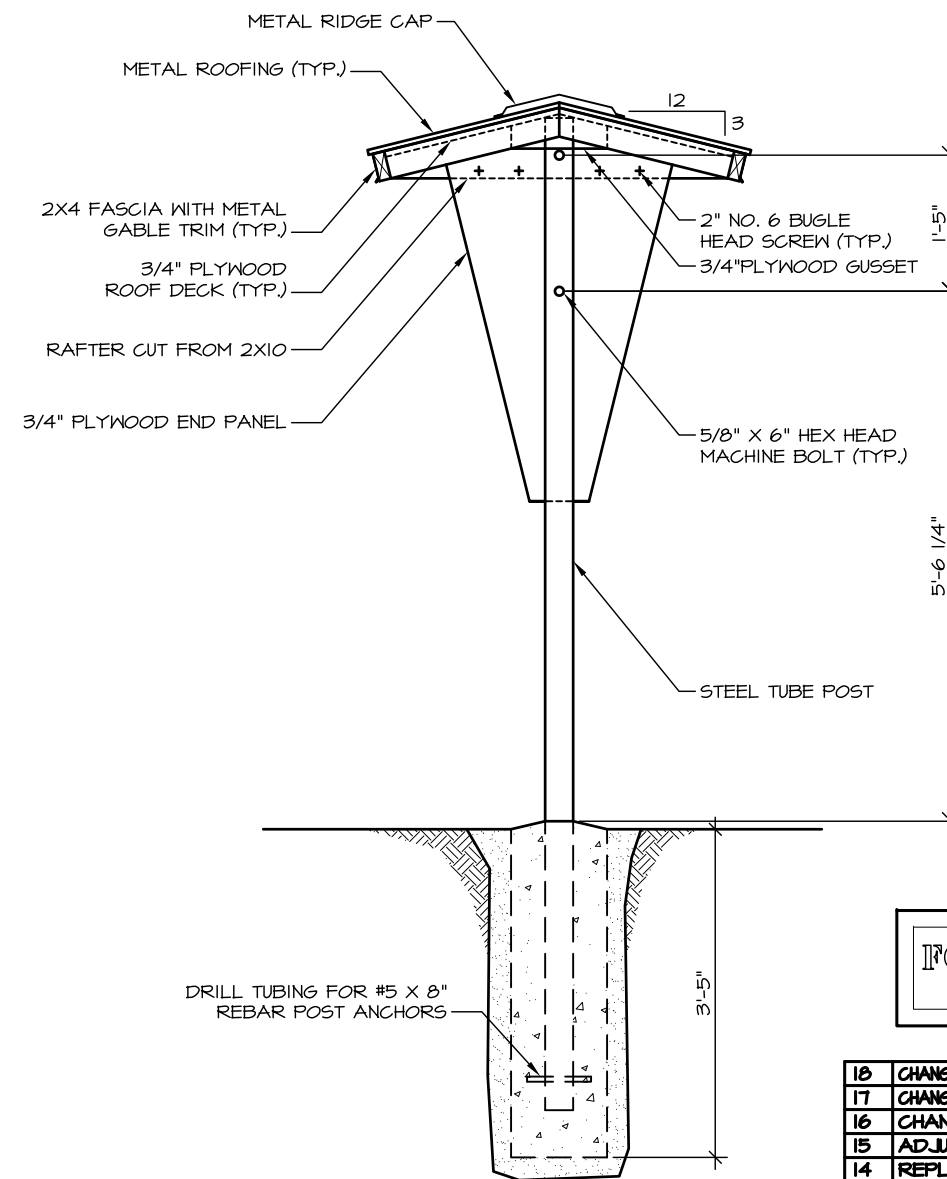


⊕ ROOF FRAMING PLAN



⊕ FRONT ELEVATION



⊕ SIDE ELEVATION

FOR INFORMATIONAL USE ONLY  
Alaska State Parks

NO.	REVISION	DATE	APPROVED
18	CHANGED STATE PARKS LOGO	04/10	MPS
17	CHANGED ROOFING MATERIAL, RAFTER SIZE, & FASCIA SIZE	12/08	MPS
16	CHANGED TITLE BLOCK	12/07	MPS
15	ADJUSTED OVERALL HEIGHT	12/04	MPS
14	REPLACED STAMP	03/04	MPS
13	HEX HEAD MACHINE BOLT SIZE CORRECTION	02/04	JC
12	REPLACED STAMP	3/02	DH
11	REVISED AND REDRAWN TO ELECTRONIC MEDIA	12/95	P.N.



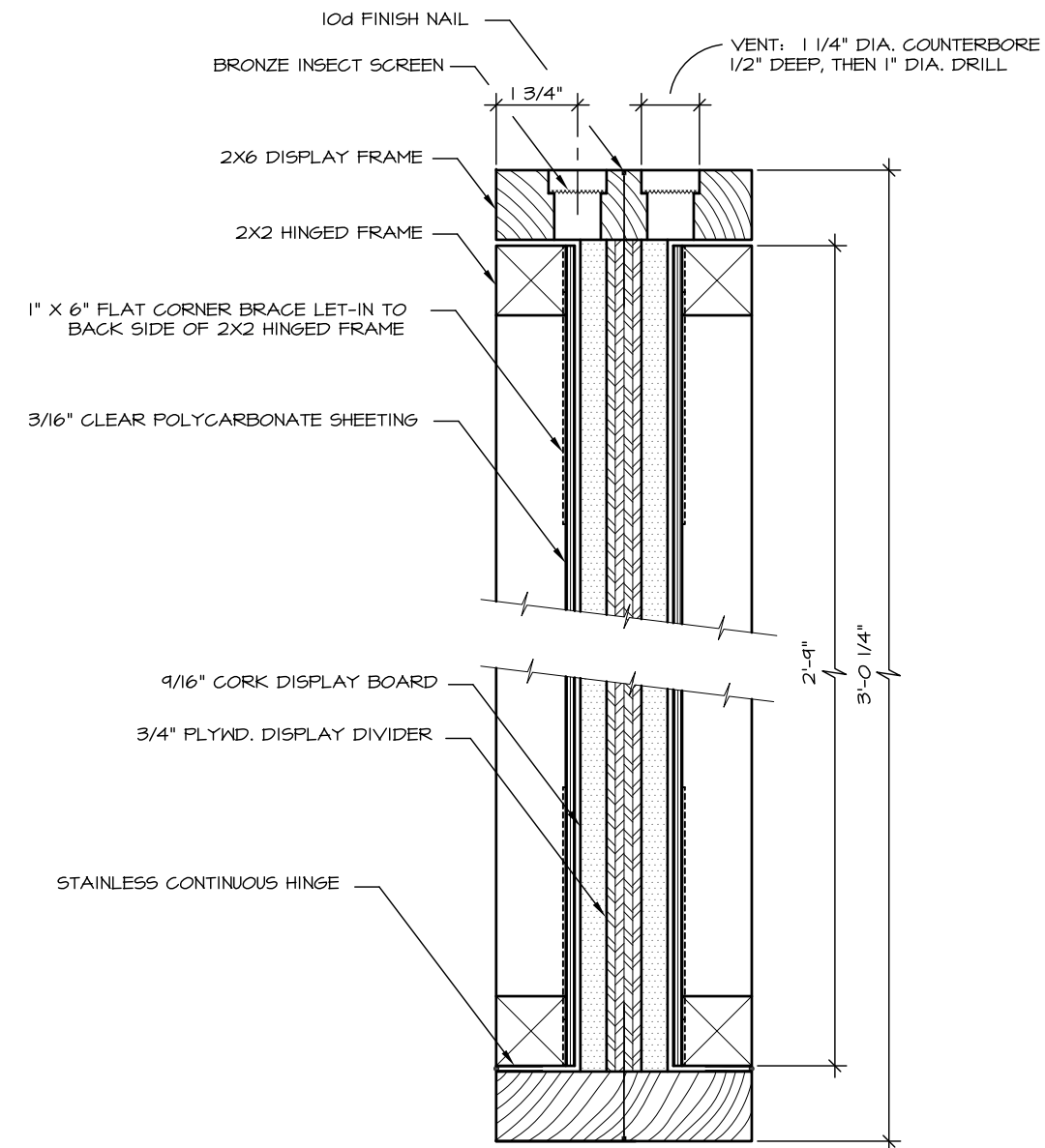
PREPARED: M.J.  
DRAWN: J.F.S.  
REVIEWED: DH  
DATE: 11/95

SHEET 1  
OF 2 SHEETS

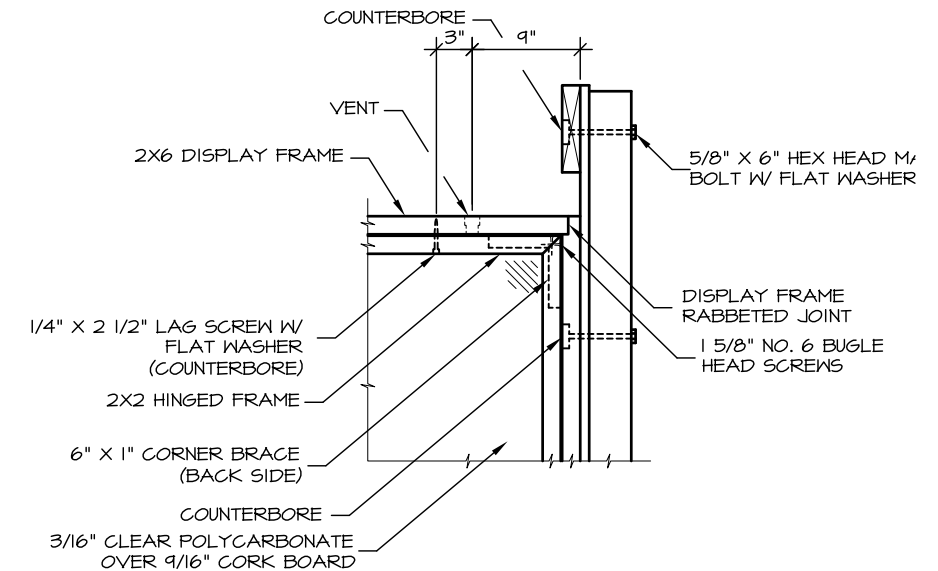


PREPARED: M.J.  
 DRAWN: J.F.S.  
 REVIEWED: DH  
 DATE: 11/95

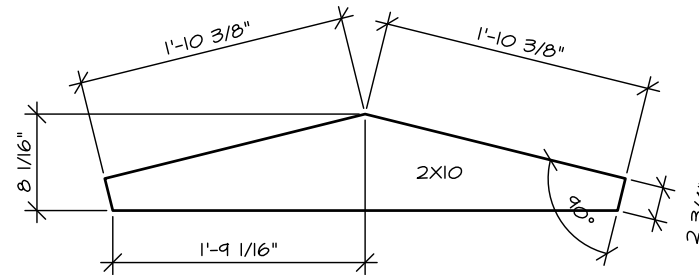
SHEET 2  
 OF 2 SHEETS



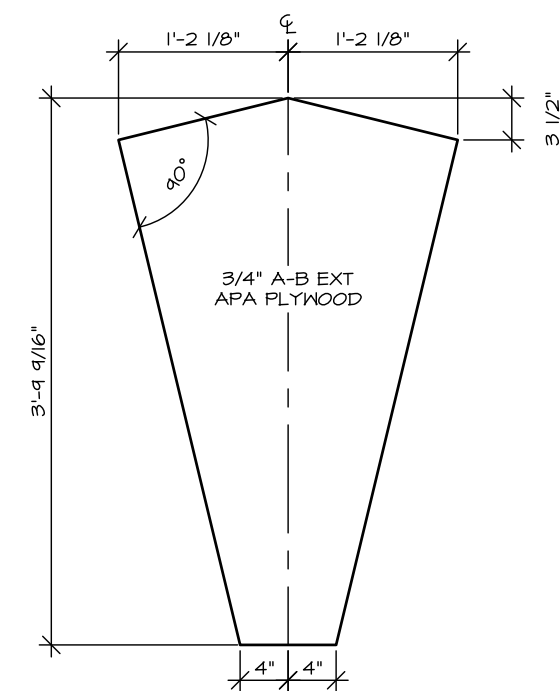
1/2 DISPLAY FRAME SECTION



2/2 FRAME DETAIL



3/2 2X10 RAFTER PATTERN



4/2 PLYWOOD END PANEL PATTERN

FOR INFORMATIONAL USE ONLY  
 Alaska State Parks

NO.	REVISION	DATE	APPROVED
18	CHANGED STATE PARK LOGO	04/10	MPS
17	CHANGED ROOFING MATERIAL, RAFTER SIZE, & FASCIA SIZE	12/08	MPS
16	CHANGED TITLE BLOCK	12/07	MPS
15	MODIFIED PLYWOOD END PANEL PATTERN TO FIT HEIGHT ADJUSTMENT	12/04	MPS
14	REPLACED STAMP	03/04	MPS
13	HEX HEAD MACHINE BOLT SIZE CORRECTION	02/04	JC
12	REPLACED STAMP	3/02	DH
11	REVISED AND REDRAWN TO ELECTRONIC MEDIA	12/95	P.N.